

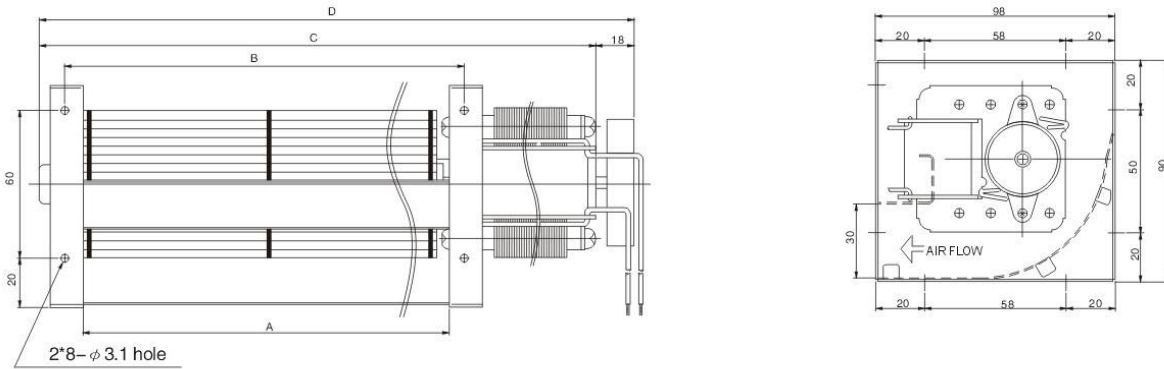


EVER GRAND CROSS FLOW FAN

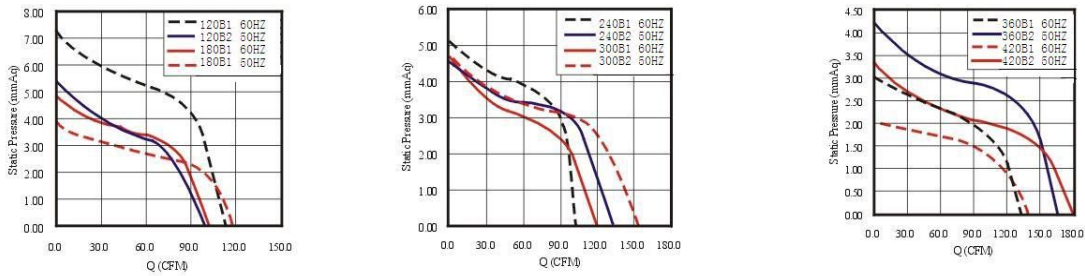
EC60F SERIES AC FAN



DIMENSIONS DRAWING



P&Q CURVE(AT RATED VOLTAGE)



Model	Size(mm)			Rated Frequency	Rated Voltage	Rated Current	Rated Input Power	Speed	Air Flow	Static Pressure	Noise	Weight
	A	B	C									
PART NO.	A	B	C	Hz	VDC	Amp	Watt	RPM	m3/min	mmH2O	dBA	g
EC60120B1-R/L	123	138	191	60	110	0.23	18	2350	1.7	2.7	43	1200
EC60120B2-R/L	123	138	191	50	220	0.12	18	2350	1.7	2.7	43	1200
EC60180B1-R/L	184	199	262	60	110	0.58	41	2500	2.9	4.8	47	1350
EC60180B2-R/L	184	199	262	50	220	0.26	32	2500	2.9	4.8	47	1350
EC60240B1-R/L	245	260	323	60	110	0.59	40	2100	2.9	3.7	44	1400
EC60240B2-R/L	245	260	323	50	220	0.27	35	2200	3.5	4	46	1400
EC60300B1-R/L	306	321	384	60	110	0.6	41	2000	3.7	3.4	44	1500
EC60300B2-R/L	306	321	384	50	220	0.3	41	2100	4	3.6	46	1500
EC60360B1-R/L	368	383	446	60	110	0.61	42	1700	3.9	2.8	40	1600
EC60360B2-R/L	368	383	446	50	220	0.31	42	2000	4.7	3.5	46	1600
EC60420B1-R/L	429	444	507	60	110	0.62	42	1600	4.8	2.5	40	1650
EC60420B2-R/L	429	444	507	50	220	0.31	42	1800	5.3	2.9	45	1650