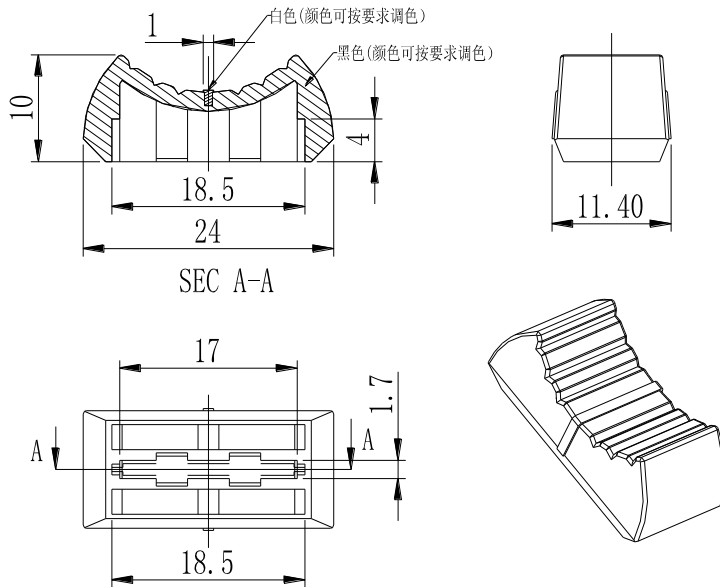


1. 产品简图(product sketch)



产品描述(description)

型号(type):AN-08

材料(material):PA6

颜色:黑色+白色(双色)

Color:black+white

单位(unit): MM

防火等级(Fireproofing level)

(UL)94-V2

2. 产品用途(Application)

该产品目前广泛应用于各种电子, 电器, 仪器仪表、音响, 调音台设备的上, 主要用于电位器旋钮固定和定位。不需工具即可完成装配。特点是容易固定, 提高生产效率。

Plastic knobs and buttons are currently widely applied in all kinds of electronic, electric, instrumentation, sound, and mixer devices; they mainly function to position and fix potentiometer switches. It is easily and conveniently to install without accessory tools, which highly improves the productivity.

3. 产品性能(Function)

该系列产品主要为塑料产品, 具有重量轻、体积小、美观、环保、不生锈、安装方便、快捷等优点。颜色有的可以做成双色, 黑色, 白色, 灰色, 自然色, 还可按照客户所需颜色调色, 规格齐全。安装时无需使用工具, 易手工安装, 省时、快捷。

Plastic knobs and buttons are light in weight, small in size, artistic, environmental protected, and stainless; there are full ranges and diverse color (part can be double colored;black, white,gray, natural,etc.) in supply, and the knobs and buttons can be customized. It is easily and conveniently to install and use without accessory tools.