

# COT156-CFK03

**15.6 inch Frameless Flat Screen Touch Monitor**

**Projected Capacitive Touch Screens, 10points Touch, Water proof & Vandal proof**



### *COT156 Serials Model Definitions*

COT156-CFK03	Projected capacitive (PCAP) Touch Screen	VGA/DVI/HDMI	Metal Front Frame
--------------	--	--------------	-------------------

**DongGuan CJTOUCH Electronic Co., Ltd.**

**PUBLISHED DATE:2013-03-08**

## Open Frame Touch Monitor Parameters

General	
Model	COT156-CFK03
Series	Water-proof and Flat screen
Monitor Dimensions	Width: 399.7mm Height: 247mm Depth: 40mm
LCD Type	15.6" Active matrix TFT-LCD
Video Input	VGA ,DVI and HDMI
OSD controls	Allow on-screen adjustments of Brightness, Contrast Ratio, Auto-adjust, Phase, Clock, H/V Location, Languages, Function, Reset
Power Supply	Type: External brick Input (line) voltage: 100-240 VAC, 50-60 Hz Output voltage/current: 12 volts at 4 amps max
Mount Interface	1)VESA 75mm and 100mm 2)Mount bracket, horizontal or vertical
LCD Specification	
Active Area(mm)	344.16 (H) x 193.59 (V)
Resolution	1920 x1080@75Hz
Dot Pitch(mm)	0.17925 (H) x 0.17925 (V)
Nominal Input Voltage VDD	+3.3(Typ)
Viewing angle (v/h)	70° /60° (CR>10)
Contrast	400:1
Luminance(cd/m2)	300
Response Time(Rising)	8MS/16MS
Support Color	16.2M colors
Backlight MTBF(hr)	15000(Min)
Touchscreen Specification	
Type	Cjtouch Projected Capacitive touch screen
Multi touch	10points touch
Touch Life Cycle	10 millions
Touch Response time	8ms
Touch System Interface	USB interface
Power consumption	+5V@80mA
External AC Power Adapter	
Output	DC 12V /4A
Input	100-240 VAC, 50-60 Hz
MTBF	50000 hr at 25°C
Environment	
Operating Temp.	0~50°C
Storage Temp.	-20~60°C
Operating RH:	20%~80%
Storage RH:	10%~90%

## Components

[www.cjtouch.com](http://www.cjtouch.com) Sales & Technical Support: [pearl@cjtouch.cn](mailto:pearl@cjtouch.cn) Skype: [pearlhuangpei](https://www.skype.com) Tel: +86-769-33231050  
Block B, 3rd/5th floor, Building 6, Anjia industrial park, WuLian, FengGang, DongGuan, P.R.China 523000

USB Cable 180cm\*1 Pcs,

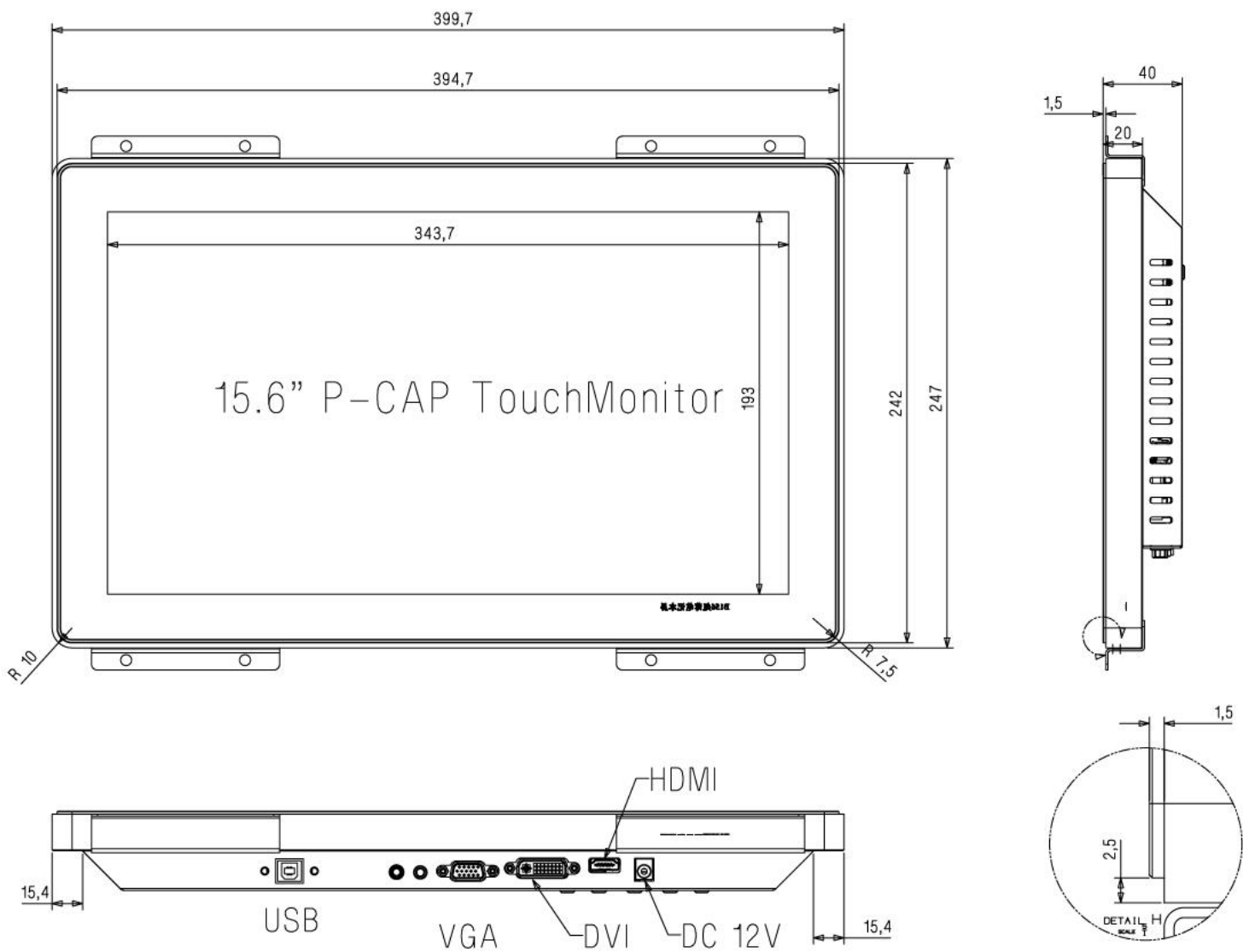
VGA Cable 180cm\*1 Pcs,

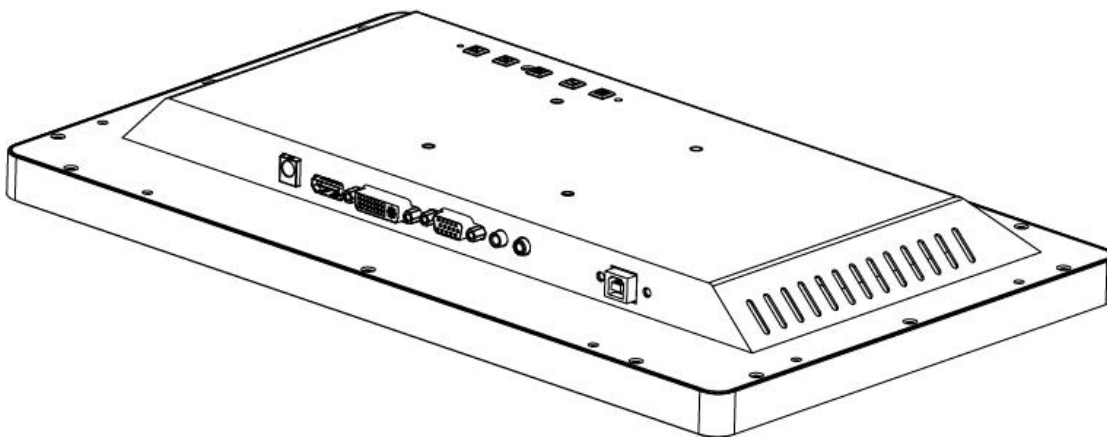
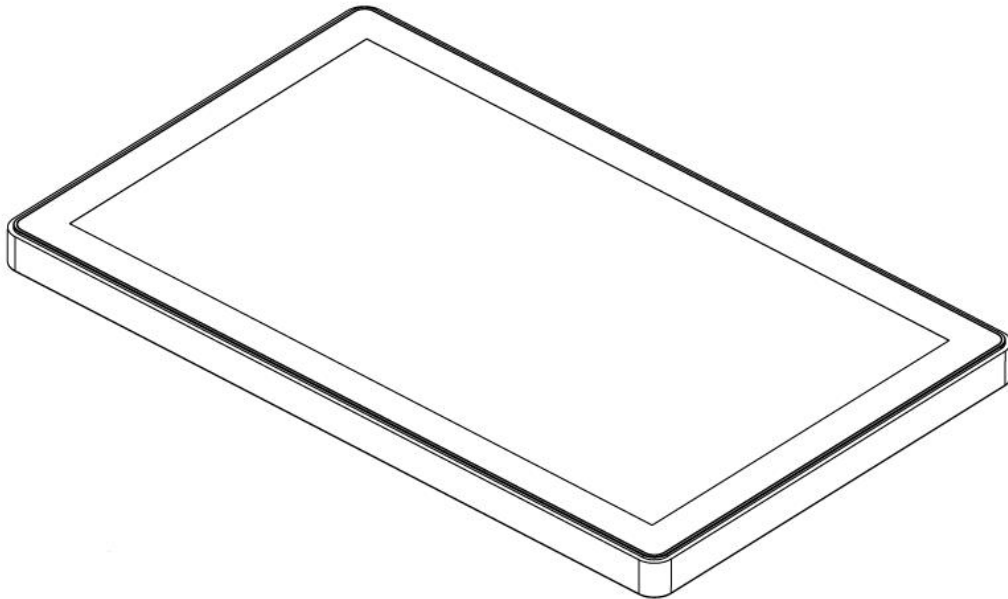
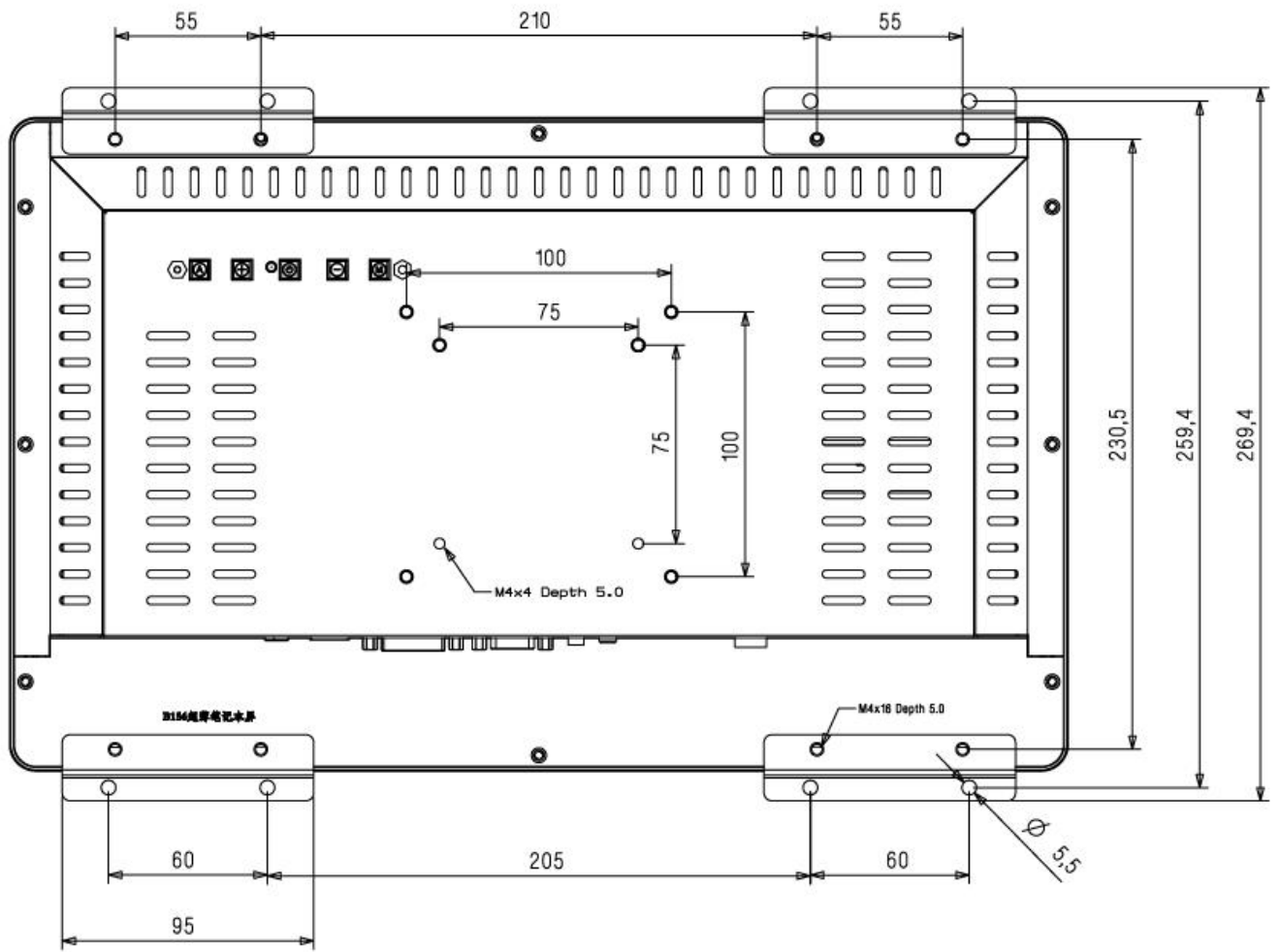
Power Cord with Switching Adapter \*1 Pcs,

Bracket\*2 Pcs



### Mechanical Drawing







**ALL IN ONE TOUCH COMPUTER**  
**For School Education/Meeting**



**Skype:pearlhuangpei**




**Floor Standing Advertising Player**


**SAW Touch Screens**



**IR Touch Frames**



**PCAP Touch Screens**



**PCAP Touch Foils**



**Resistive Touch Screens**



**Capacitive Touch Monitors**



**Elo Style Touch Monitors**



**Desktop Touch Monitors**

