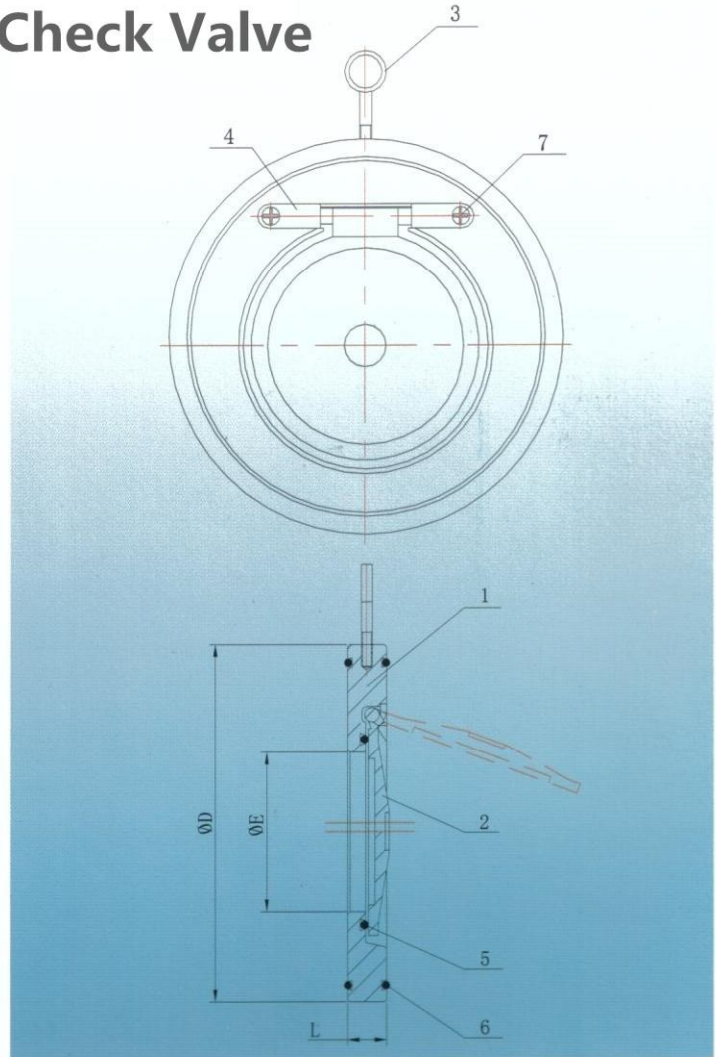


Thin Single Disc Swing Check Valve



Description:

1. Working pressure: 1.0/1.6/2.5/4.0Mpa
2. Working temperature:
NBR: 0°C ~ +80°C
EPDM: -10°C ~ +120°C
VITON: -20°C ~ +180°C
3. Face to face: DIN ANSI
4. Flange standards: EN1092-2, ASNI125/150 etc.
5. Testing: DIN3230, API598
6. Medium: Fresh Water, Sea water, food stuff, all kinds of oil, acid, alkaline liquid etc.

Material List:

NO.	Part	Material
1	Body	SS316/SS304/WCB
2	Disc	SS316/SS304/WCB
3	Ring	Steel
4	Baffle	SS316/SS304/WCB
5	O-ring	NBR/EPDM/VITON
6	O-ring	NBR/EPDM/VITON
7	Bolt	SS316/SS304/WCB

Dimension:

DN(mm)	25	32	40	50	65	80	100	125	150	200	250	300	350	400	450	500	600
ΦD(mm)	71	82	92	107	127	142	162	192	218	273	328	378	438	489	532	585	690
											329	384	444	491	550	610	724
ΦE (mm)	12	17	22	32	40	54	70	92	114	154	200	235	280	316	360	405	486
L(mm)	14	14	14	14	14	14	18	18	20	22	26	28	38	44	50	56	62