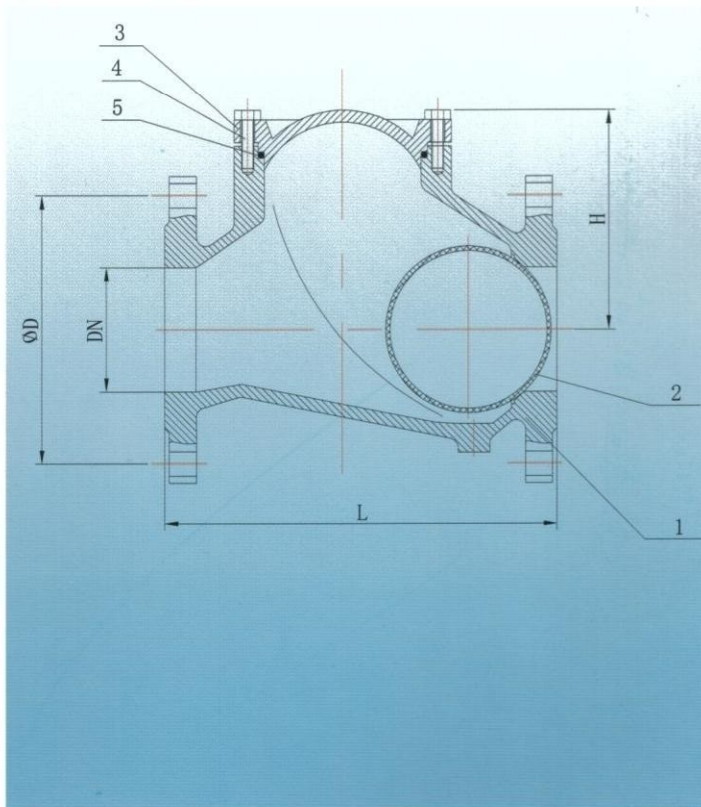


Flanged Ball Check Valve



Description:

1. Working pressure: 1.0/1.6MPa
2. Working temperature:
NBR: 0°C ~ +80°C
EPDM: -10°C ~ +120°C
3. Face to face: DIN3202 F6, ANSI125/150
4. Flange standards: EN1092-2 PN10/16, ANSI 125/150
5. Testing: DIN3230, API598
6. Medium: Fresh Water, Sea water, food stuff, all kinds of oil etc.

Material List:

NO.	Part	Material
1	Body	GG25/GGG40
2	Ball	Metal+NBR/EPDM
3	Cap	GG25/GGG40
4	Bolt	Stainless steel
5	Gasket	NBR/EPDM

Dimension:

DN(mm)	40	50	65	80	100	125	150	200	250	300	350	400	
L(mm)	180	200	240	260	300	350	400	500	600	700	800	900	
H(mm)	98	106	129	146	194	207	240	322	388	458	610	705	
ΦD	PN10	Φ110	Φ125	Φ145	Φ160	Φ180	Φ210	Φ240	Φ295	Φ350	Φ400	Φ460	Φ515
	PN16									Φ355	Φ410	Φ470	Φ525