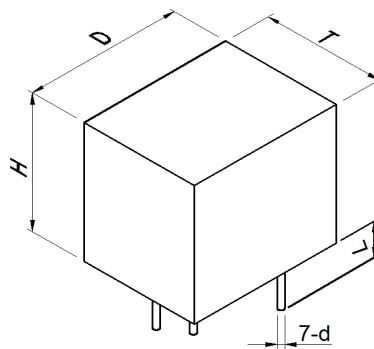
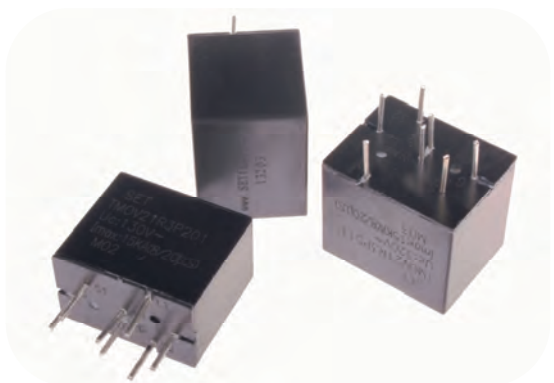


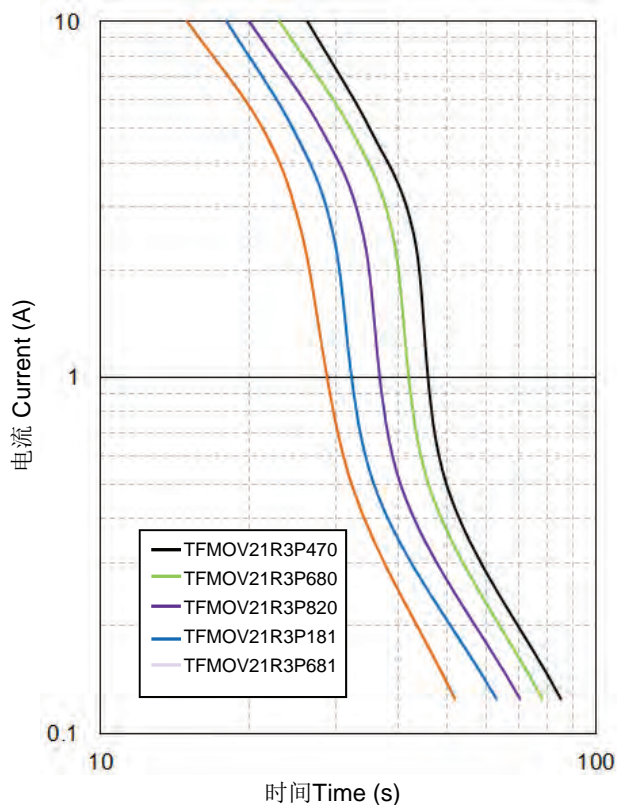
Integrate three MOVs and two thermal fuses inside



应用领域 Applications

- 通讯电源
Telecom power supplies
- 电源防雷器
Power surge protectors
- 防雷插座
Surge protectors

受限电流测试曲线 (UL 1449第3版 39.4条款) Limited Current Test Curve (UL 1449 3rd clause 39.4)



- 上图仅供参考
The above curve is for reference only.

尺寸Dimensions (mm)

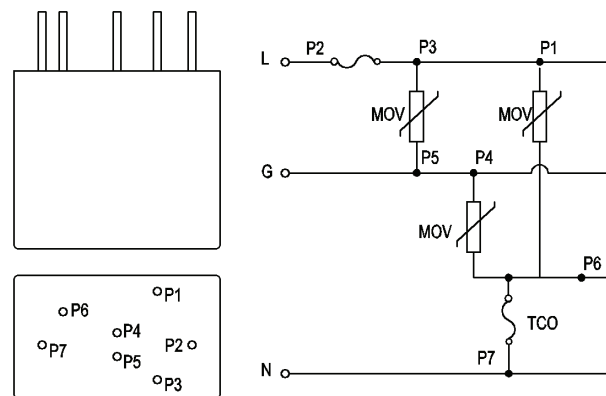
H	D	T	L	D(Φ)
23.3±0.5	27.6±0.5	16.5±0.5 ^① 21.5±0.5 ^②	8±0.5	1.05±0.05

①型号Model: 470~241 ②型号Model: 271~511

备注: 具体尺寸请以本公司提供的产品规格书为准。

Note: Please contact us for detailed dimensions.

电气原理图 Schematics



包装信息 Packaging Information

- 每个吸塑盘: 25只产品 ● 每个纸箱: 100只产品
- Each Blister plate: 25pcs Each Carton: 100pcs

专利 Patents

- 防雷插座用的防雷模块, 中国实用新型
专利号ZL201120107173.5



技术参数 Specifications

型号 Model	最大连续 工作电压 Maximum Allowable Voltage		压敏电压 Varistor Voltage		限制电压 Clamping Voltage (Max)		通流容量 Maximum Peak Current (8/20µs)		限压比 ^a Clamping Voltage Ratio		最大能量 Maximum Energy (Joule)	静态电容量 Typical Capacitance (Reference)	熔断断体 规格 Thermal Fuse
	AC. Rms	DC	V1.0mA (V)		VC	IP	In	I _{max}	R _{cl}	In	10/1000 µs	@1KHz	UL60691 E214712
	(V)	(V)	Min	Max	(V)	(A)	(KA)			(KA)	(J)	(pF)	
TFMOV21R3P470	30	38	42	52	93	25	2.5×3	5×3	4.3	2.5	41×3	8880×3	VT Series Ur:690Vac; Ir:15/16A
TFMOV21R3P560	35	45	50	62	110	25	2.5×3	5×3	3.8	2.5	49×3	7800×3	
TFMOV21R3P680	40	56	61	75	135	25	2.5×3	5×3	3.8	2.5	59×3	7000×3	
TFMOV21R3P820	50	65	74	90	135	115	5×3	10×3	3.2	5	67×3	5880×3	
TFMOV21R3P101	60	85	90	110	165	115	5×3	10×3	3.2	5	84×3	4800×3	
TFMOV21R3P121	75	100	108	132	200	115	5×3	10×3	3.2	5	102×3	4000×3	
TFMOV21R3P151	95	125	139	162	250	115	5×3	10×3	3.2	5	127×3	3200×3	
TFMOV21R3P181	115	150	167	195	300	115	5×3	10×3	2.3	5	156×3	2650×3	
TFMOV21R3P201*	130	170	186	216	340	115	7.5×3	15×3	2.3	5	170×3	2400×3	
TFMOV21R3P221	140	180	204	238	360	115	7.5×3	15×3	2.3	5	185×3	2160×3	
TFMOV21R3P241	150	200	223	260	395	115	7.5×3	15×3	2.3	5	200×3	2000×3	
TFMOV21R3P271	175	225	251	292	455	115	7.5×3	15×3	2.3	5	230×3	1800×3	
TFMOV21R3P301	190	250	279	324	500	115	7.5×3	15×3	2.3	5	250×3	1560×3	
TFMOV21R3P331	210	275	306	357	550	115	7.5×3	15×3	2.3	5	270×3	1440×3	
TFMOV21R3P361	230	300	334	389	595	115	7.5×3	15×3	2.3	5	305×3	1320×3	
TFMOV21R3P391	250	320	362	422	650	115	7.5×3	15×3	2.3	5	330×3	1200×3	
TFMOV21R3P431	275	350	399	465	710	115	7.5×3	15×3	2.3	5	365×3	1160×3	
TFMOV21R3P471	300	385	437	508	775	115	7.5×3	15×3	2.3	5	420×3	1020×3	
TFMOV21R3P511	320	415	474	551	845	115	7.5×3	15×3	2.3	5	430×3	935×3	

a: 限制电压=限压比Rcl×压敏电压；电压保护水平Up可参照IEC61643-11:2011标准6.4条款优选值表选定，采用大于实测限制电压的最小值；

Clamping voltage= (Clamping voltage ratio) × (Varistor voltage) ; The voltage protection level (Up) is selected according to IEC61643-11:2011 clause 6.4, which should be the higher than the minimum measured limiting voltage.

电压保护水平优选值 The preferred value of voltage protection level: 0.08KV; 0.09KV; 0.12KV; 0.15KV; 0.22KV; 0.33KV; 0.4KV; 0.5KV; 0.6KV; 0.7KV; 0.8KV; 0.9KV; 1.0KV; 1.2KV; 1.5KV; 1.8KV; 2.0KV; 2.5KV; 3.0KV; 4.0KV; 5.0KV; 6.0KV; 8.0KV和10KV

*注: TFMOV21R3P201 已按照 SPD Type 3 获得UL 1449 3rd 认证，使用此型号的防雷插座可免年度检测。

Note: Model TFMOV21R3P201 has acquired UL 1449 3rd approval for SPD type3. When design TFMOV21R3P201 for surge protector, the manufacturers of surge protector should be exempted from annual factory inspection.