

PSD40

SERIES

(ISOLATED)

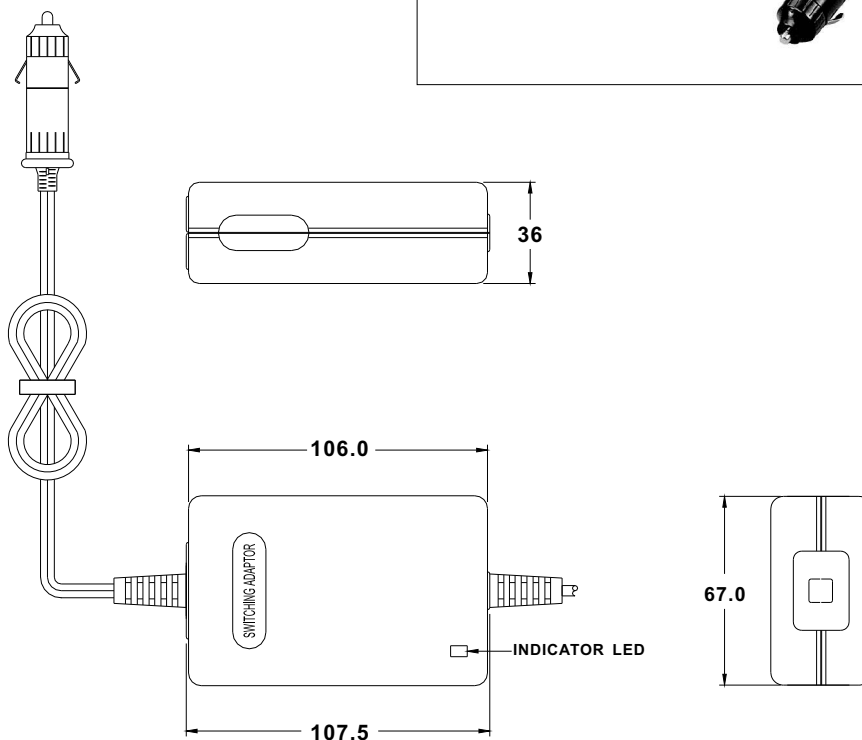
In car power supply (DC TO DC)

Features:

- Wide input voltage 11VDC to 26VDC
- Optional output connectors
- High reliability
- High efficiency
- Compact package
- One year limited warranty



UNIT:mm



Model	Output Voltage	Output Current	Maximum Output Power
PSD40-0-I	3~5 VDC	5.00 ~ 3.00A	15W
PSD40-1-I	5~6 VDC	4.50 ~ 3.75A	22.5W
PSD40-1-1-I	6~8 VDC	5.00 ~ 3.75A	30W
PSD40-2-I	8~11 VDC	4.27 ~ 3.10A	34.2W
PSD40-3-I	11~13 VDC	3.27 ~ 2.76A	36W
PSD40-4-I	13~16 VDC	2.76 ~ 2.25A	36W
PSD40-5-I	16~21 VDC	2.25 ~ 1.71A	36W
PSD40-6-I	21~27 VDC	1.71 ~ 1.33A	36W
PSD40-7-I	27~33 VDC	1.33 ~ 1.09A	36W
PSD40-8-I	33~48 VDC	0.75 ~ 0.75A	36W

Note:

- 1.Weight:Approx 200~250g
- 2.Optional output connectors (see page 40)