



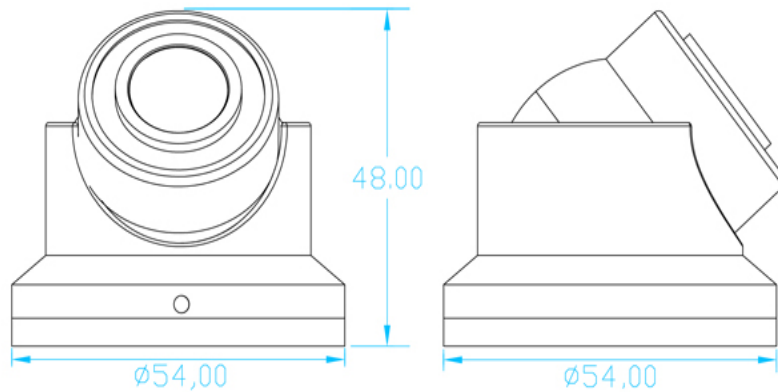
Features & Picture:

- ◆ Vehicle IR Day/Night Super-Mini Rear-view Camera
- ◆ 1/3" SONY Color SuperHAD II Low Lux CCD
- ◆ Resolution: 650TVL,700TVL
- ◆ Lens Optional: 2.5/2.8/3.6/6.0/8.0/12.0mm
- ◆ IP66 Water-proof housing
- ◆ Pan/Till adjustment available
- ◆ Dual-glass
- ◆ 12 leds(Φ3mm), vision range5~8m(Optional)
- ◆ Dimension: D54xH48(mm)



Housing#: SV2

Dimensions:



Specifications

Model	550ST-SV2	650SN-SV2	701SN-SV2
Pick up Device	1/3" SONY Color SuperHAD II Low Lux CCD		
Signal Format	PAL or NTSC (color)		
Picture Elements	PAL:752(H)x582(V); NTSC:768(H)x494(V)		PAL:976(H)x582(V); NTSC:976(H)x494(V)
Horizontal Resolution	550TVL	650TVL	700TVL
Sensitivity	0 Lux(Infrared LED On,at F1.2)		
Infrared LED	12 Leds (Φ3mm)		
Infrared LED Range	5~8m		
Scanning System	PAL:625 TVL; NTSC:525TVL 2:1 Interlace		
Synchronization	Internal sync.		
Infrared Spectrum	N/A		
S/N Ratio	Over 50dB(AGC off)		
Auto Gain Control	Auto		
White Balance	Auto		
Electronic Shutter	Auto		
Back Light Compensation	Auto		
Video Output	1 Vp-p,75Ω Composite ,BNCx1		
Audio Output	N/A		
Mirror	Optional		
Gamma Ratio	0.45		
Auto-iris Lens Control	N/A		
Lens	f2.5mm~12mm		
Lens Mount	M12xP0.5mm Thread		
Exterior Focus Adjustment	N/A		
Pan Adjusting	N/A		
Tilt Adjusting	N/A		
Power Supply	12V DC ±10%, Ø 2.0mm DC Jack x1		
Power Consumption	140mA		
Dimensions(D x H)	54 x 48mm		
Net Weight	106g		
Weatherproof/Waterproof	Weatherproof (IP66)		
Operating Temperature	-10°C to +50°C		

*Specifications are subject to change without prior notice