



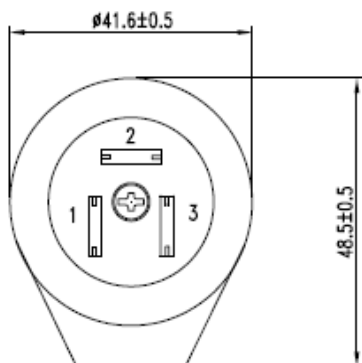
Fx-DM06A-F1 ADSL POTS Splitter For CPE Side



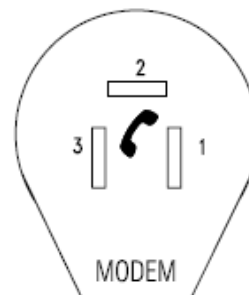
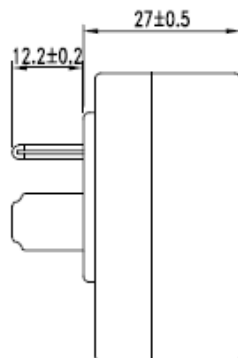
- ★ Compact package, includes connectors for ease of installation
- ★ Design for Glite Application
- ★ 100 mA DCI Loop Current Capacity

Specifications

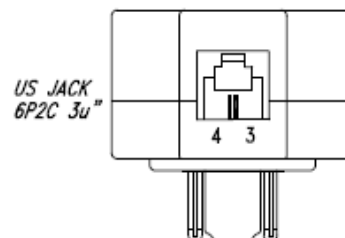
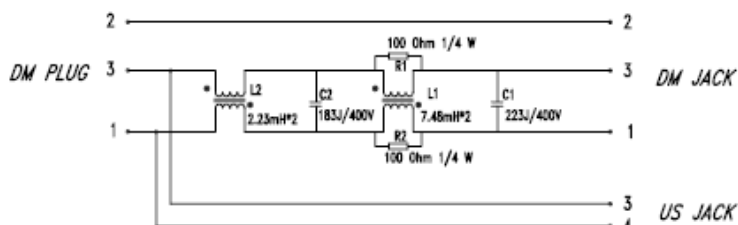
POTS Port Impedance	270 Ω+150nF/750 Ω	POTS Tip and Ring DC Voltage	0~105V
Insertion Loss @1KHz	1dB Max	DC Resistance each Line	50 Ω Max
Insertion distortion @200~4 KHz	±1.0dB Max	Return Loss @300Hz~500Hz	12dB Min
Attenuation @32~60 KHz	27dB Min	@500Hz~2KHz	14dB Min
@60K~600 KHz	55dB Min	@2KHz~3.4KHz	8dB Min
Longitudinal Balance @200Hz~3K	40dB Min	Isolation resistance tip/ring	10 M Ω Min



DM PLUG



DM JACK



Head Office & Factory

SHAN-SIA DEVELOPMENT INDUSTRY AREA, HENG-LI TOWN, DONGGUAN CITY, GUANGDONG PROVINCE, CHINA

Tel: +86-769-83791376/7/8/9

Http: www.dgfuxin.com

Postal: 523467

Fax: +86-769-83713728

