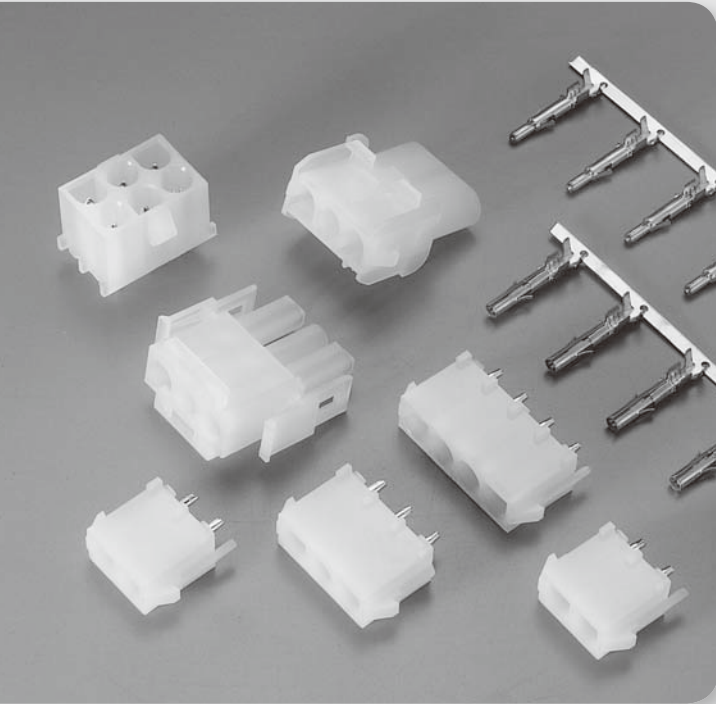


6.35mm (.250") Power Connectors



Specifications

- Voltage Rating : 600V AC/DC
- Current Rating : 2~4 Circuit - 12A MAX
5~15 CIRCUIT - 9A MAX
- Withstanding Voltage : 5,000V AC/minute
- Insulation Resistance : 1,000MΩ min.
- Temperature Range : -55°C to + 105°C
- Contact Resistance : 20mΩ max.

Features:

■ HOUSING

Part No. : JS-6350W-XX(Plug)

JS-6350H-XX(Receptacle)

Poles : Single Row : 2 , 3 , 4 Circuit

Triple Row: 6 , 9 , 12 , 15 Circuit

Material : Nylon 66 UL94V-0 or V-2

Color : Nature

Q,ty : 1,000 pcs/Bag

■ WAFER

Part No. :

JS-6350WSF-XX(Female contact , Straight , Without Post)

JS-6350WSF-XXP(Female contact , Straight , With Post)

JS-6350WSM-XX(male Contact , Straight , Without Post)

JS-6350WRF-XX(Female contact , Right Angle)

JS-6350WRM-XX(male Contact , Right Angle)

Poles : Straight, Single Row : 2 , 3 , 4 Circuit

Right Angle, Single Row : 2~10 Circuit

Straight, Triple Row : 6 , 9 , 12 , 15 Circuit

Material : Male Contact : Phosphor Bronze ; Tin Plated

Base : Nylon 66 UL94V-0 or V-2;

Q'ty : 1,000 pcs./Bag

■ TERMINAL

Part No. : JS-6350H-TH/TM/TL(For 2~5 Circuit)

JS-6350H-TH1/TM1/TL1(For 6~15 Circuit)

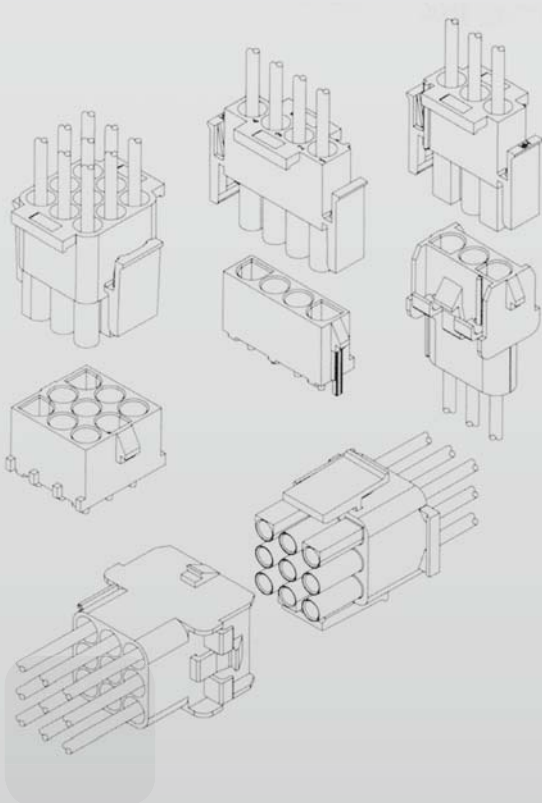
JS-6350W-TH/TM/TL

Applicable Wires : AWG# 12~22

Material : Brass

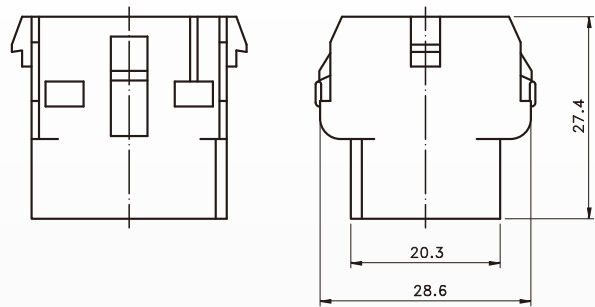
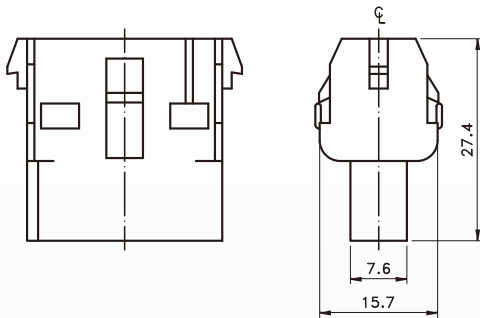
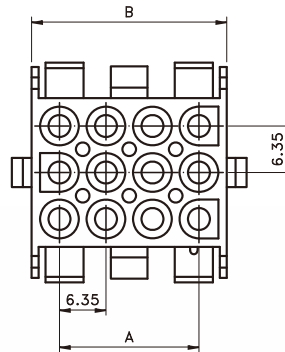
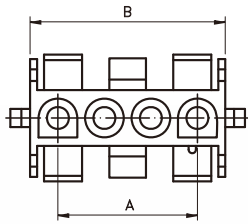
Thickness : 0.3mm

Q'ty : 10,000 pcs/Reel



6.35mm (.250") Power Connectors

Housing JS-6350H



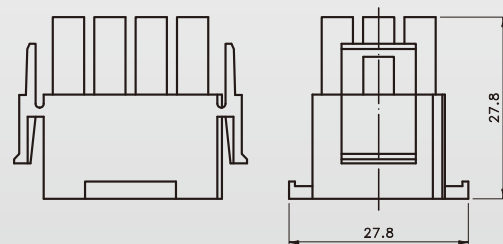
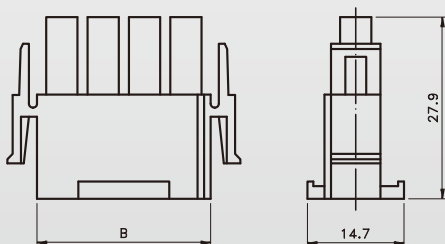
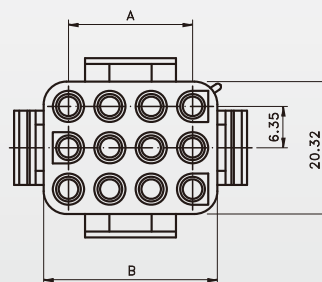
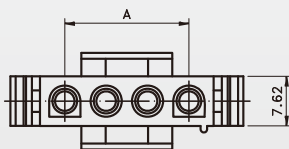
JS-6350H-XX (Single Row)

JS-6350H-XX (Triple Row)

Poles	Part No.		Dimensions (mm)	
	JS-6350H	JS-6350W	A	B
2	JS-6350H-02	JS-6350W-02	6.35	13.97
3	JS-6350H-03	JS-6350W-03	12.70	20.32
4	JS-6350H-04	JS-6350W-04	19.05	26.67
6	JS-6350H-06	JS-6350W-06	6.35	13.97

Poles	Part No.		Dimensions (mm)	
	JS-6350H	JS-6350W	A	B
9	JS-6350H-09	JS-6350W-09	12.70	20.32
12	JS-6350H-12	JS-6350W-12	19.05	26.67
15	JS-6350H-15	JS-6350W-15	44.45	33.02

Housing JS-6350W



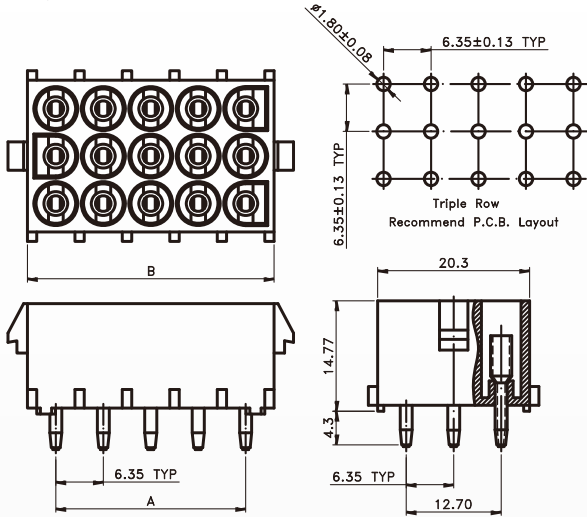
JS-6350W-XX (Single Row)

JS-6350W-XX (Triple Row)

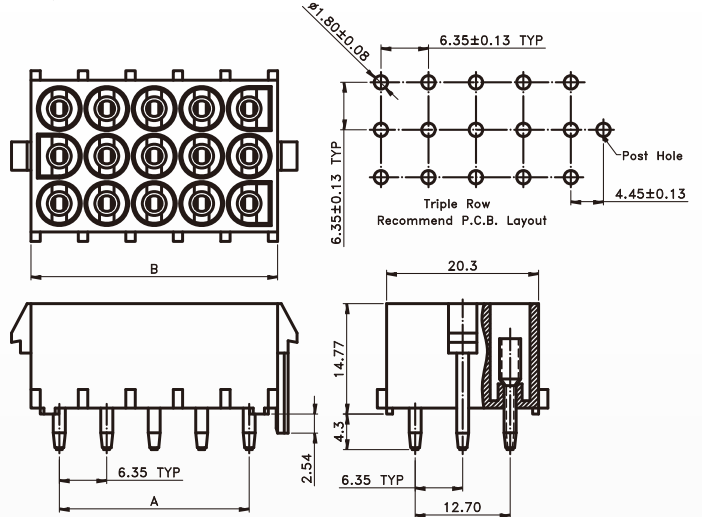
6.35mm (.250") Power Connectors

Wafer JS-6350WSF

JS-6350WSF-XX(Female Contact)
Triple Row

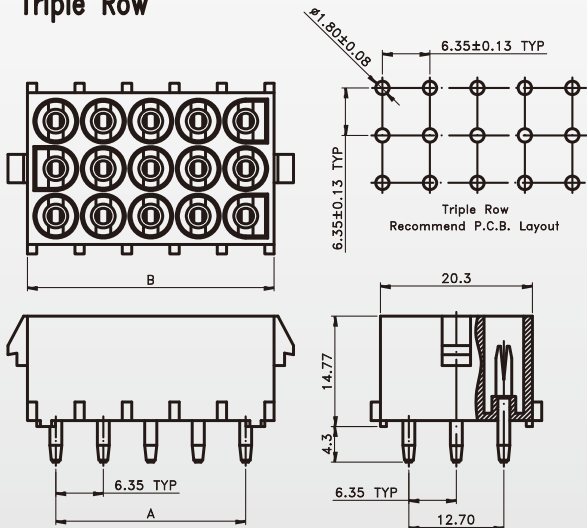


JS-6350WSF-XXP(Female Contact , With Peg)
Triple Row

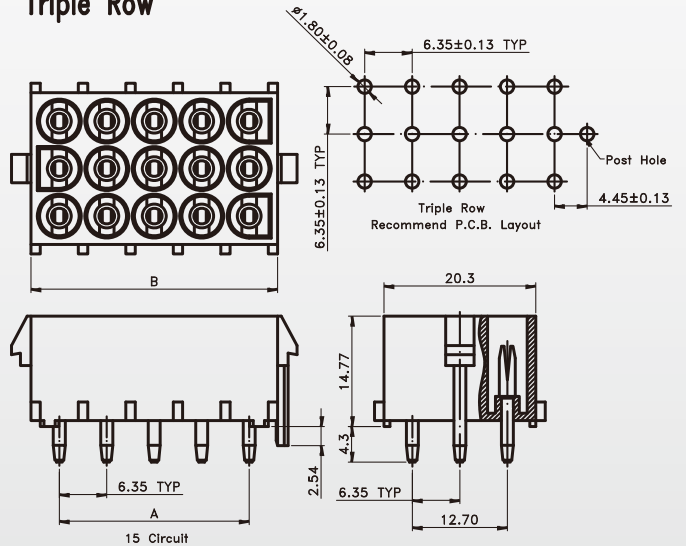


Wafer JS-6350WSM

JS-6350WSM-XX(Male Contact)
Triple Row



JS-6350WSM-XXP(Male Contact , With Peg)
Triple Row

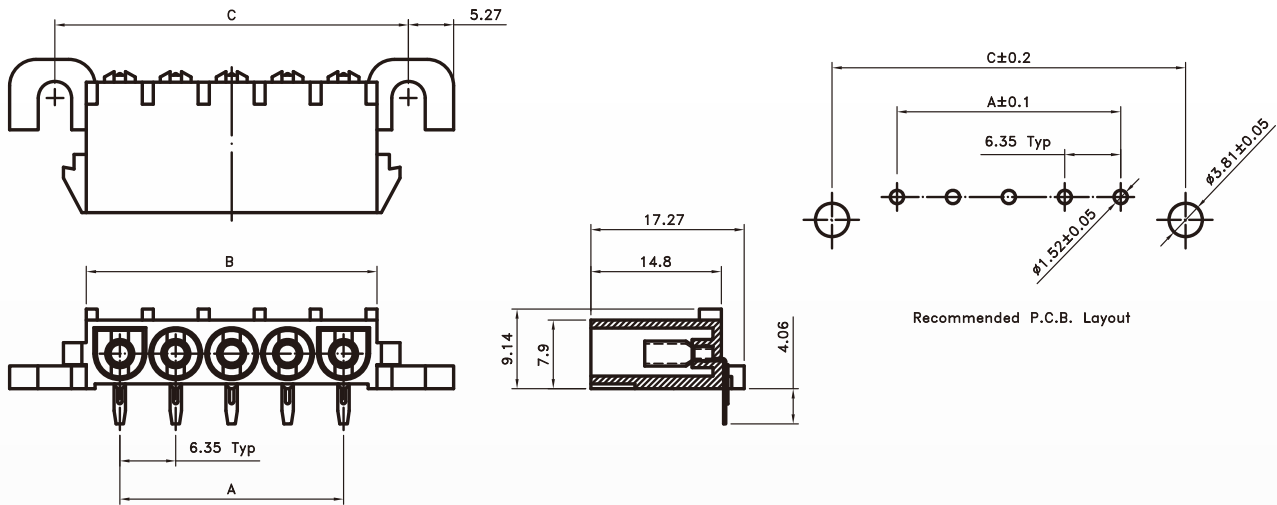


JS-6350WSM-XX,6350WSF-XX		
Poles	Dimensions (mm)	
	A	B
2	13.95	6.35
3	20.30	12.70
4	26.65	19.05
5	33.00	25.40

6.35mm (.250") Power Connectors

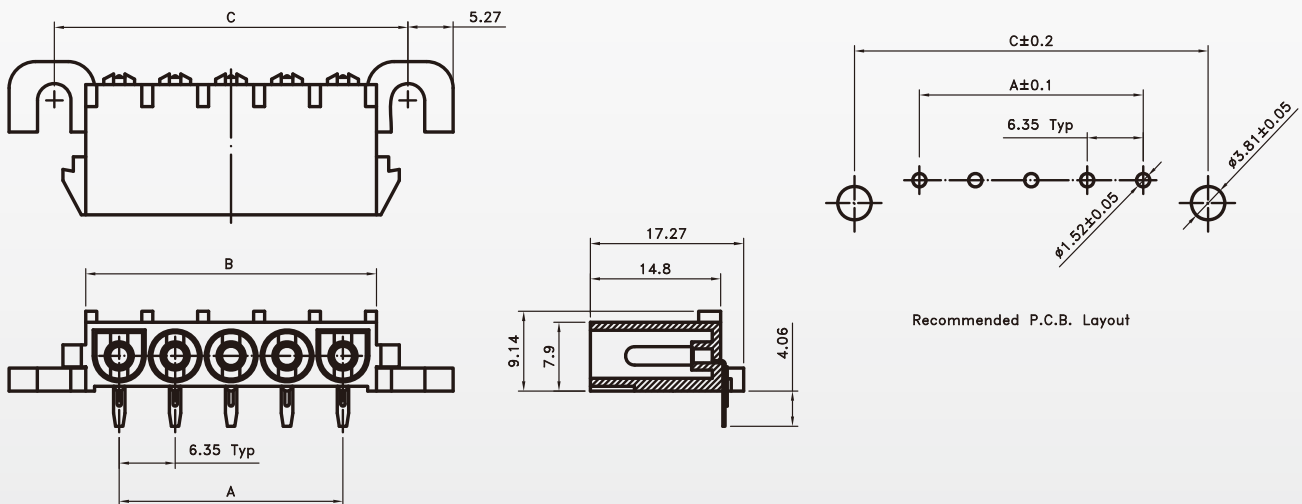
Wafer

JS-6350WRF



Wafer

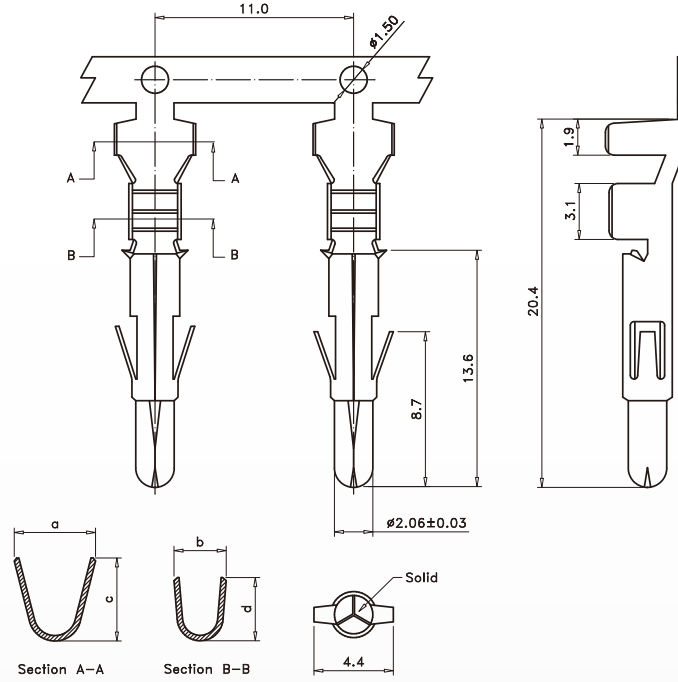
JS-6350WRM



Poles	Part No.		Dimensions (mm)		
	JS-6350WRF-XX	JS-6350WRM-XX	A	B	C
2	JS-6350WRF-02	JS-6350WRM-02	6.35	13.90	21.07
3	JS-6350WRF-03	JS-6350WRM-03	12.70	20.25	27.42
4	JS-6350WRF-04	JS-6350WRM-04	19.05	26.60	33.77
5	JS-6350WRF-05	JS-6350WRM-05	25.40	32.95	40.12
6	JS-6350WRF-06	JS-6350WRM-06	31.75	39.30	46.47
7	JS-6350WRF-07	JS-6350WRM-07	38.10	45.65	52.82
8	JS-6350WRF-08	JS-6350WRM-08	44.45	52.00	59.17
9	JS-6350WRF-09	JS-6350WRM-09	50.80	58.35	65.52
10	JS-6350WRF-10	JS-6350WRM-10	67.15	64.70	71.87

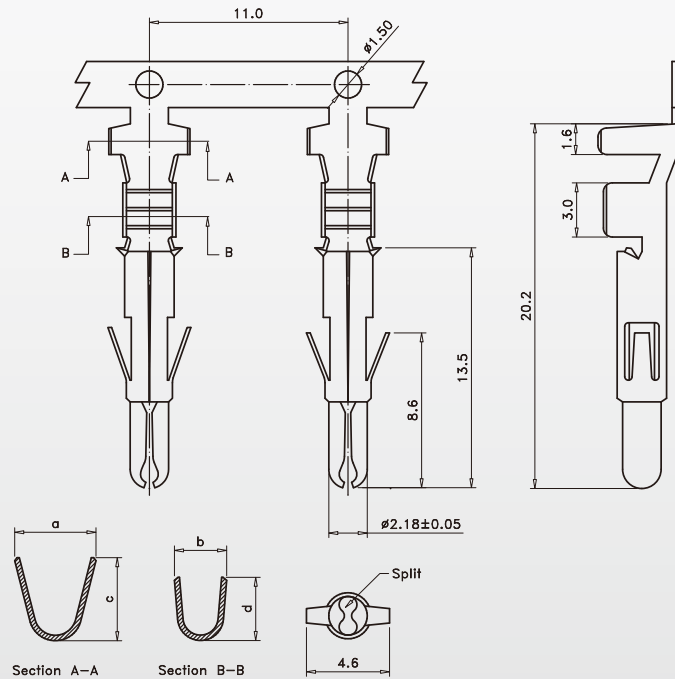
6.35mm (.250") Power Connectors

Terminal JS-6350W-TH / TM / TL



Part No.	Dimensions (mm)				WIRE RANGE
	A	B	C	D	
JS-6350H-TH	5.50	3.50	5.90	3.20	AWG# 12~14
JS-6350H-TM	4.50	2.90	4.50	3.50	AWG# 16~20
JS-6350H-TL	3.40	2.40	3.40	2.40	AWG# 18~22

Terminal JS-6350H-TH1 / TM1 / TL1

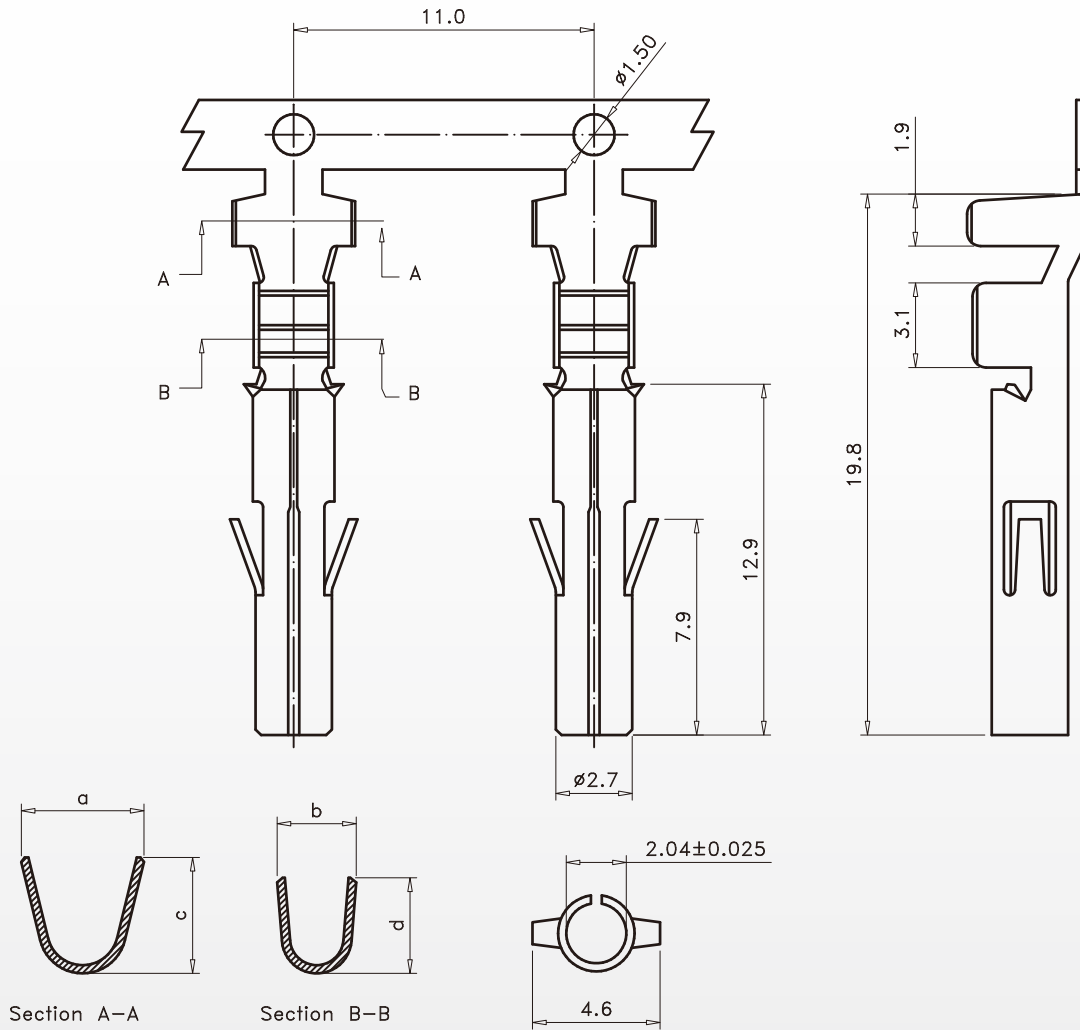


Part No.	Dimensions (mm)				WIRE RANGE
	A	B	C	D	
JS-6350H-TH1	5.50	3.50	5.90	3.20	AWG# 12~14
JS-6350H-TM1	4.50	2.90	4.50	3.50	AWG# 16~20
JS-6350H-TL1	3.40	2.40	3.40	2.40	AWG# 18~22

6.35mm (.250") Power Connectors

Terminal

JS-6350W-TH / TM / TL



Part No.	Dimensions (mm)				WIRE RANGE
	A	B	C	D	
JS-6350H-TH	6.40	2.90	5.70	3.50	AWG# 12~14
JS-6350H-TM	4.50	2.90	4.50	3.50	AWG# 16~20
JS-6350H-TL	3.40	2.40	3.40	2.40	AWG# 18~22