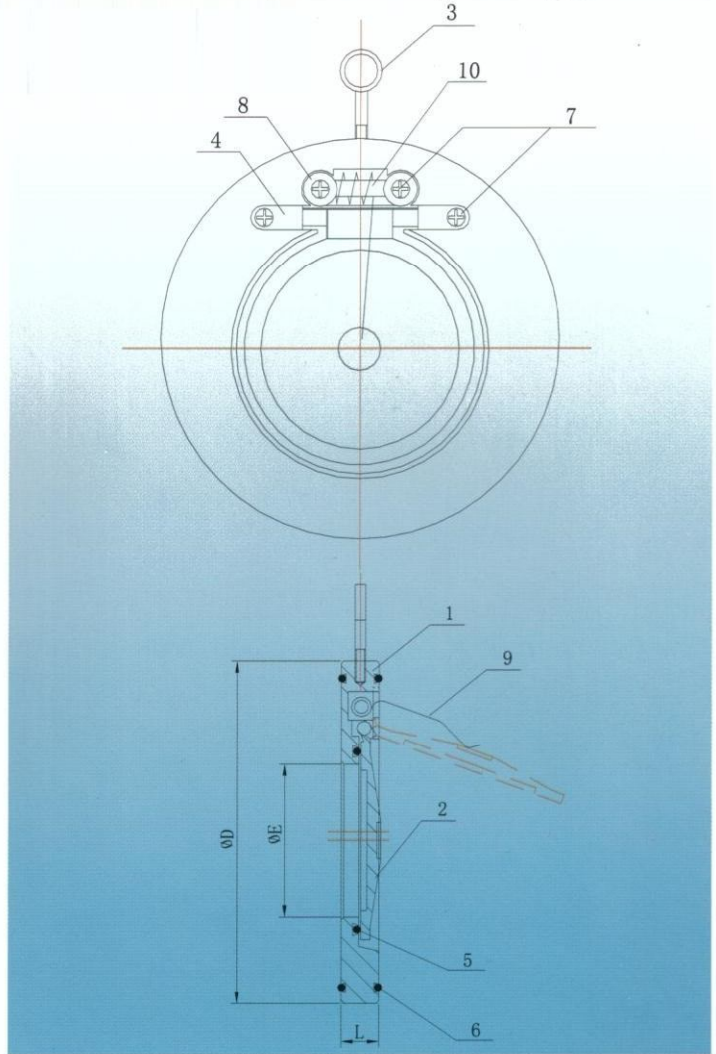


## Thin Single Disc Swing Check Valve(with Spring)



### Description:

1. Working pressure: 1.0/1.6/2.5/4.0Mpa
2. Working temperature:  
NBR: 0°C ~ +80°C  
EPDM: -10°C ~ +120°C  
VITON: -20°C ~ +180°C
3. Face to face: DIN ANSI
4. Flange standards: EN1092-2, ASNI125/150 etc.
5. Testing: DIN3230, API598
6. Medium: Fresh Water, Sea water, food stuff, all kinds of oil, acid, alkaline liquid etc.

### Material List:

NO.	Part	Material
1	Body	SS316/SS304/WCB
2	Disc	SS316/SS304/WCB
3	Ring	Steel
4	Baffle	SS316/SS304/WCB
5	O-ring	NBR/EPDM/VITON
6	O-ring	NBR/EPDM/VITON
7	Bolt	SS316/SS304/WCB
8	Backing plate	SS316/SS304
9	Spring	SS316/SS304
10	Shaft	SS316/SS304

### Dimension:

DN(mm)	50	65	80	100	125	150	200	250	300	350	400	
ΦD(mm)	PN10	107	127	142	162	192	218	273	328	378	438	489
	PN16								329	384	444	491
ΦE (mm)	32	40	54	70	92	114	154	200	235	280	316	
L(mm)	14	14	14	18	18	20	22	26	28	38	44	