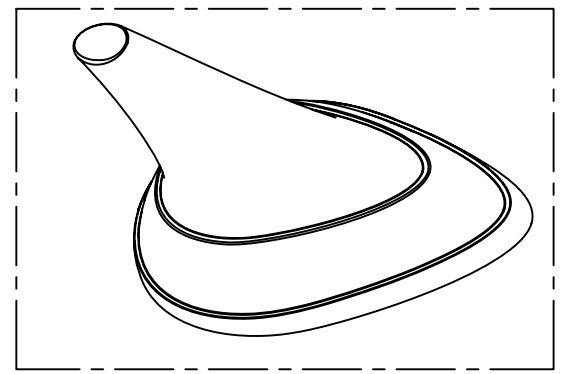
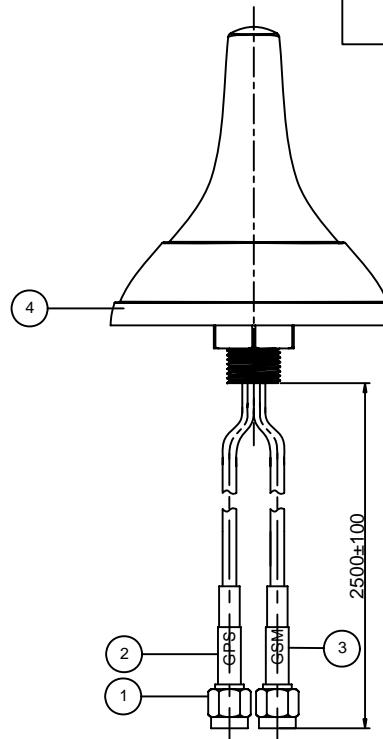
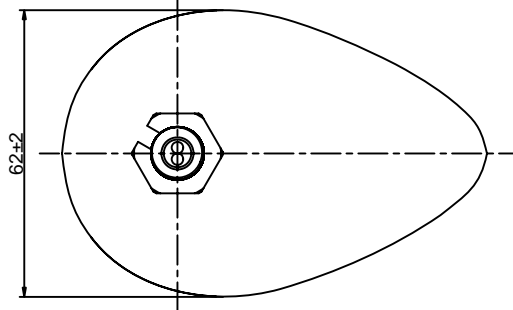
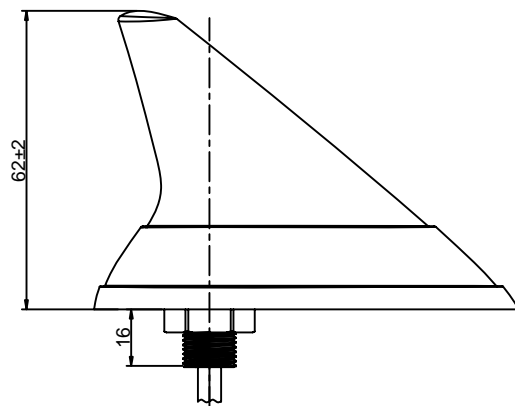
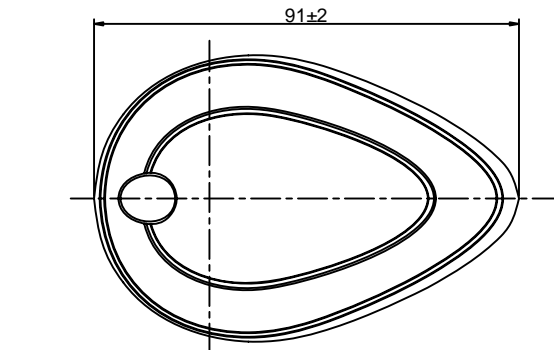
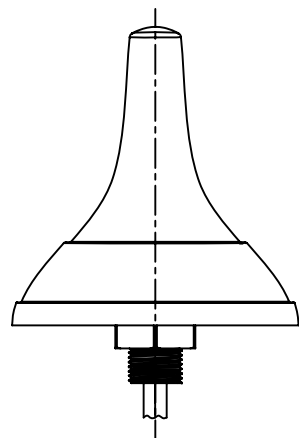


**RoHS
Compatible**

SIGN	DATE	DESCRIPTION	APPROVER
△			
△			
△			



4	J916262GPS50	Antenna		91*62*62mm	1
3	R-HSTUBE-GSM	Shrink tube		20° ∅4.5mm	1
2	R-HSTUBE-GPS	Shrink tube		20° ∅4.5mm	1
1	SMA288-CG8MN174	SMA Male	Metal	Gold plated	2
No.	Part Number	Description	Material	Finished	Q'ty

Invox System Group.
Cortec

Cortec Technology Inc.
[Http://www.invoxsystem.com](http://www.invoxsystem.com)
 E-mail: info@invox.com.tw

Tel: 886-2-27885218
Fax: 886-2-27831658

TITLE: Active GPS & GSM Antenna

PART NO.: AG0821S-43325SMSM DWG NAME: AG0821S-43325SMSM.dwg

APPROVED BY	CHECKED BY	DESIGNED BY		Tolerance	
Grant	Liu kui	HU CHUNJIN		UNITS: mm	X.X ±0.3
2009.10.20	2009.10.20	2009.10.20		SCALE: 1/1	X.XX ±0.1
			REVISION: A	X° ±2°	