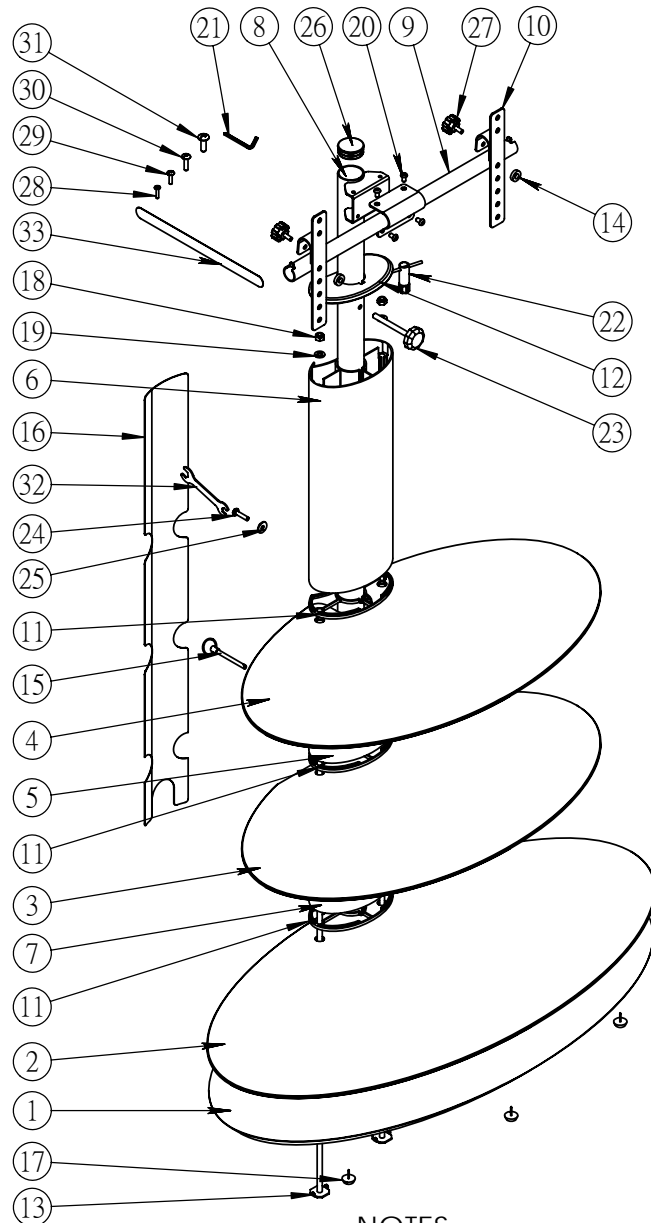


*** ST90E3 II ***



NOTES:

1.TK121115更改Part-10#掛臂後編ST90E3 II.
16碼FFST0664PB033xxx改FFST0667PB033xxx

NO.	Description	Qty	Part NO.
1	MDF Base	1	CFT06640011xxxxx
2	Top Sheet Glass	1	ABBLFT04606xxxxx
3	Column Mouont Shelf	1	ABBLFT04604xxxxx
4	Top Shelf	1	ABBLFT04605xxxxx
5	Aluminum Column	1	CFT06630001xxxxx
6	Aluminum Column-Top	1	CFT06630002xxxxx
7	Aluminum Column-Bottom	1	CFT06640004xxxxx
8	Bracket	1	CFT06630004xxxxx
9	Support Bar	1	CFT06630007xxxxx
10	Screen Hanger	2	CRK02650003xxxxx
11	Plastic Connector D	5	HPSJ00387xxxxx
12	Aluminum Cover B	1	AMYZRK02481xxxxx
13	Screw Thread Welded-M8x863	2	CFT06640005xxxxx
14	Plastic Spacer ID8.5*OD18*5.0	2	HPCTSA033xxxxx
15	Pin	1	HMWJ00358xxxxx
16	Plastic Panel	1	HPSJ00842xxxxx
17	Foot Dim21	6	HPJD00092xxxxx
18	Nylon Nut M8xT7.7	2	HMLMLK006xxxxx
19	Washer ID8xOD16xT1.6	2	HMHSTD042xxxxx
20	Allen Screw M6*10	4	HMLSSMT002xxxxx
21	Cross plus hex wrench M4	1	HMBSKC041xxxxx
22	Spanner	1	HMBSKD009xxxxx
23	Adjust Screw M8x85	1	HTLSXAMT014xxxxx
24	ISO 4014 - M6 x 25	1	HMLSLAMT003xxxxx
25	Washer $\phi 6.5 * \phi 19 * T1.6$	1	HMHSTD037xxxxx
26	End Plug	1	HPGS00064xxxxx
27	Adjusting Screw M6x15	2	HTLSXAMT005xxxxx
28	Cross Screw M4*20	2	HMLSJTMJ009xxxxx
29	Cross Screw M5*20	2	HMLSJTMR008xxxxx
30	Cross Screw M6*25	2	HMLSJTMT011xxxxx
31	Cross Screw M8*25	2	HMLSJTMW006xxxxx
32	Spanner 10#+13#	1	HMBSKA002xxxxx
33	Magic Tape 20x285	1	HTZC00028xxxxx

除-1#/-2#/-3#/-4#/-7#/-13#/-16#不同外，
其余Part與ST90D2的相同

Production NO.		FFST0667PB033xxx	
REV.00	CHECKED BY 1		
	CHECKED BY 2		