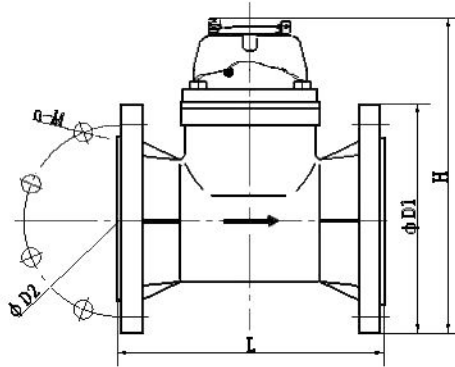


## LXXG(R)-50~300(mm) Horizontal Vane Wheel, Dry-dial Cold (hot) Water Meter (Page 1/3)

This type of water meter can be used for a remote reading transmission system as equipped with a built-in sensor.



### Application

--Measuring the volume of cold (hot) water passing through the pipeline

### Feature:

- Removable element structure, easy installation and maintenance;
- Dry-dial, Magnetic drive;
- Large flow capacity, small pressure loss;
- Resist water hammer and pollution;
- Vacuum sealed register ensures the dial keep free from condensation and keep the reading clear in a long term service;
- Selected high quality materials for steady and reliable characteristic;
- Technical data conform to international standard ISO 4064.

### Working condition

Water temperature: 0.1°C ~ 40°C (0.1°C ~ 90°C for hot water meter)

Water pressure: ≤ 1.0Mpa (1.6MPa on request)

### Maximum permissible errors

- (1) in the lower zone from  $q_{min}$  inclusive up to but excluding  $q_t$  is  $\pm 5\%$
- (2) in the upper zone from  $q_t$  inclusive up to and including  $q_s$  is  $\pm 2\%$  ( $\pm 3\%$  for hot water meter)

### MAIN TECHNICAL SPECIFICATIONS FOR COLD WATER

Type	Size (mm)	Class	$q_s$	$q_p$	$q_t$	$q_{min}$	Min. Reading	Max. Reading
			Overload Flow	Permanent Flow	Transitiona l Flow	Min. Flow		
m <sup>3</sup> /h							m <sup>3</sup>	
LXXG-50	50	A	30	15	4.5	1.2	0.0002	999,999
LXXG-65	65	A	50	25	7.5	2.0	0.002	999,999
LXXG-80	80	A	80	40	12	3.2	0.002	999,999
LXXG-100	100	A	120	60	18	4.8	0.002	999,999
LXXG-125	125	A	200	100	30	8	0.002	999,999
LXXG-150	150	A	300	150	45	12	0.002	999,999
LXXG-200	200	A	500	250	75	20	0.002	999,999
LXXG-250	250	A	800	400	120	32	0.02	9,999,999
LXXG-300	300	A	1200	600	180	48	0.02	9,999,999

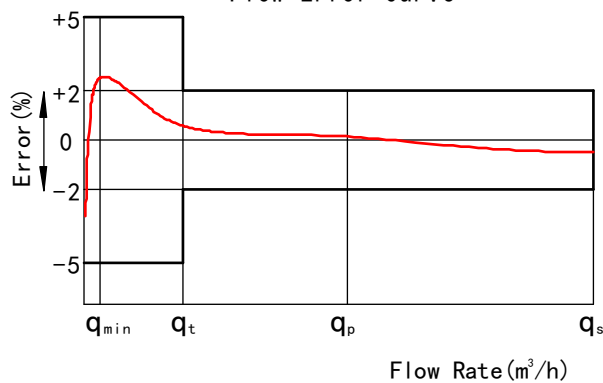
## LXXG(R)-50~300(mm) Horizontal Vane Wheel, Dry-dial Cold (hot) Water Meter (Page 2/3)

### DIMENSIONS

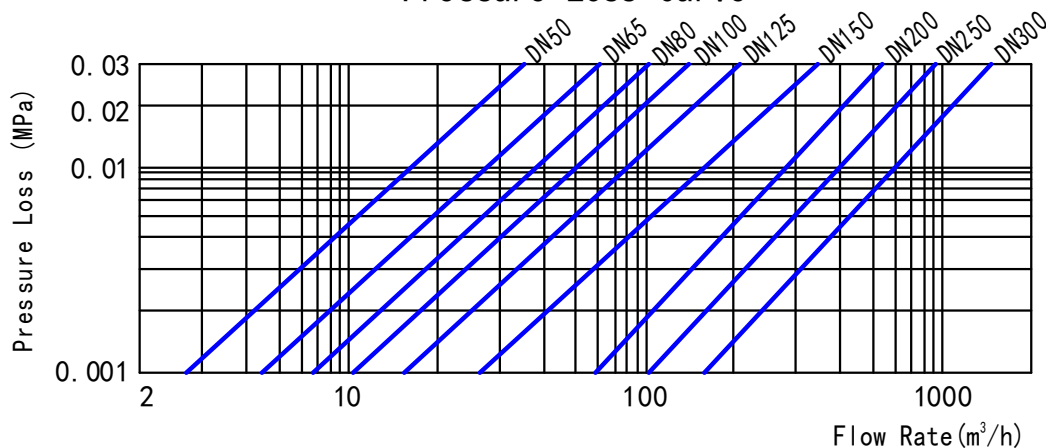
Type	Size	L Length	H Height	Connecting flange		
				φ D1 Outside diameter	φ D2 Bolt circle diameter	Connecting Bolts (n-M)
LXXG-50	50	200	253	165	125	4-M16
LXXG-65	65	200	268	185	145	4-M16
LXXG-80	80	225	284	200	160	8-M16
LXXG-100	100	250	295	220	180	8-M16
LXXG-125	125	250	310	250	210	8-M16
LXXG-150	150	300	339	285	240	8-M20
LXXG-200	200	350	382	340	295	8-M20(1.0MPa)
						12-M20(1.6MPa)
LXXG-250	250	400	433	395	350	12-M20(1.0MPa)
		450	438	405	355	12-M24(1.6MPa)
LXXG-300	300	450	483	445	400	12-M20(1.0MPa)
		500	488	460	410	12-M24(1.6MPa)

**NOTE:** The flange dimension conforms to ISO7005-2:1988 standard. Order for products of special requirements is also accepted.

Flow Error Curve



Pressure Loss Curve



## LXXG-50 ~ 300 HORIZONTAL VANE WHEEL, DRY-DIAL COLD WATER METER

Code	Description	Material	QTY
1	Screw M5×45 For Sealing	Stainless Steel	1
2	Screw M5×45	Stainless Steel	1
3	Cover With Lid	Assembly	1
4	Sealed Register	Assembly	1
5	Fixing pin	Brass	1
6	Retainer Ring	ABS	1
7	Screw	Brass	4
8	Pin	Stainless Steel	1
9	Support	ABS	1
10	Bolt For Sealing	Stainless Steel	2
11	Bolt M12×35	Stainless Steel	2
12	Gasket	Stainless Steel	4
13	Adjusting Nut	Brass	1
14	Flange Plate	Cast Iron	1
15	O-ring	Silicon Rubber	1
16	O-ring	Silicon Rubber	1
17	Bush For Adjustment	Brass	1
18	Upper Bearing Plate	Brass	1
19	Screw	Brass	4
20	Lower Central Gear	Component	1
21	Cover Plate	MPPO	1
22	O-ring For Adjustment	Rubber	2
23	Transmission Gear Component	Assembly	1
24	Adjusting Lever	Brass	1
25	Turbine	Component	1
26	Adjusting Plate	MPPO	1
27	Bush with Agate	Nylon with Graphite	1
28	Measuring Chamber	MPPO	1
29	Fixing Screw	Brass	3
30	O-ring	Rubber	1
31	Body	Cast Iron	1

