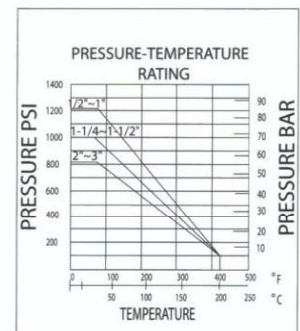


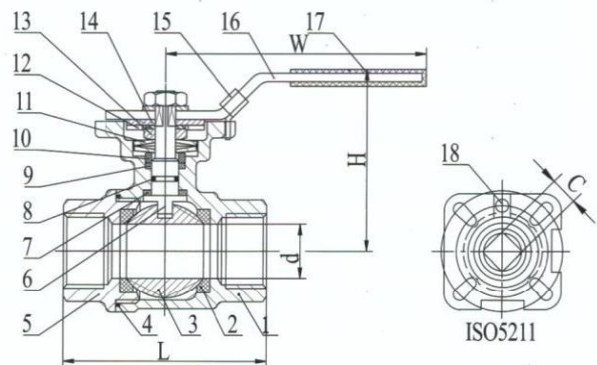
2-PC BALL VALVE, FULL BORE, THREADED END, 1000WOG, WITH MOUNTING PAD

- Investment Castings For Body And Cap
- Internal Entry Blow-Out Proof Stem
- Mounting Pad: ISO5211
- Pressure Rating: 1000PSI (PN63)
- Threaded Ends: ANSI B2.1, BS 21, DIN 259/2999
- Material: CF8M, CF8, CF3M, WCB
- Pressure Test : API 598



MATERIAL LIST

ITEM	PART	MATERIAL	QTY
1	BODY	CF8M	1
2	BALL SEAT	R-PTFE(15%)	2
3	BALL	SS316	1
4	BODY GASKET	PTFE	1
5	CAP	CF8M	1
6	STEM	SS316	1
7	THRUST WASHER	PTFE	1
8	O-RING	VITON	1
9	STEM PACKING	PTFE	1
10	PACKING RING	SS304	1
11	WASHER	SS301	2
12	NUT STOPPER	SS304	1
13	NUT	SS304	2
14	PLATE WASHER	SS304	1
15	LOCK DEVICE	SS304	1
16	HANDLE	SS304	1
17	HANDLE COVER	PLASTIC	1
18	STOP PIN	SS304	1



DIMENSION TABLE

SIZE	d	L	H	W	C	ISO5211	N.M	KGS
1/2"	15	57	63	120	9	F03/F04	5	0.38
3/4"	20	64	70	120	9	F03/F04	8	0.51
1"	25	77	74	140	11	F04/F05	10	0.87
1-1/4"	32	90	88	149	11	F04/F05	14	1.26
1-1/2"	40	105	94	200	14	F05/F07	18	2.25
2"	50	127	102	200	14	F05/F07	25	3.05
2-1/2"	65	154	140	255	17	F07/F10	48	5.45
3"	76	173	153	255	17	F07/F10	75	8.20
4"	94	221	175	302	17	F07/F10	110	15.00

E-MAIL: nancygao@public.qd.sd.cn
nancygao@bdchina.com

TEL: 0086/532/66753307 OR 013953280182
 FAX: 0086/532/66753309 OR 85791651