

120-130Watt Polycrystalline Photovoltaic Module

Electrical Characteristics

Max Power	Pmax	120W	125W	130W
Max Power Voltage	Vmp	17.6V	17.8V	18.0V
Max Power Current	Imp	6.82A	7.02A	7.22A
Open Circuit Voltage	Voc	22.0V	22.3V	22.5V
Short Circuit Current	Isc	7.30A	7.51A	7.73A
Cell Efficiency		15.4%	16.5%	16.7%
Maximum System Voltage		600V		
Series Fuse Rating		10A		

Temperature Co-efficients

Power	-0.38%/°C
Voltage	-60.8mV/°C
Current	2.2mA/°C

Number of Cells in Series **36**

Max Power tolerance **±5%**

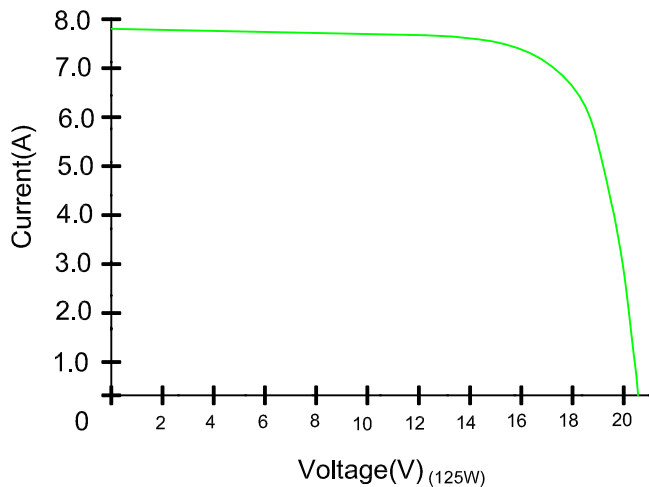
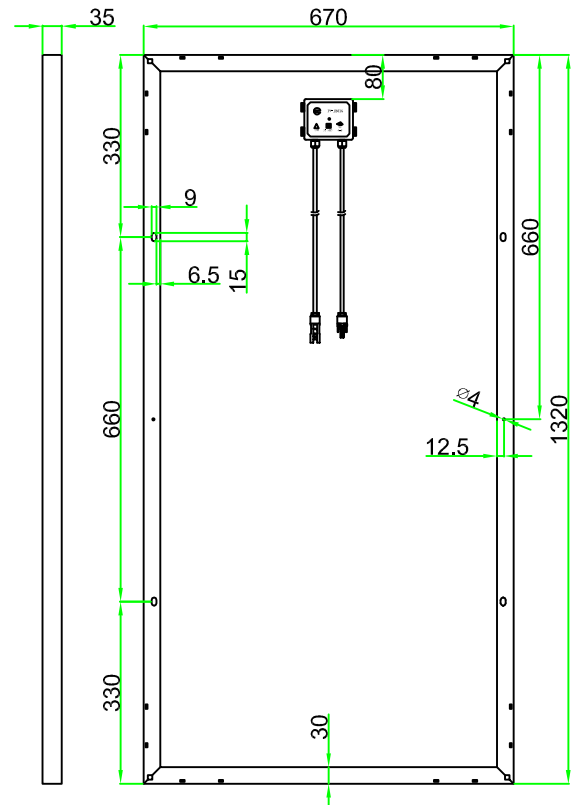
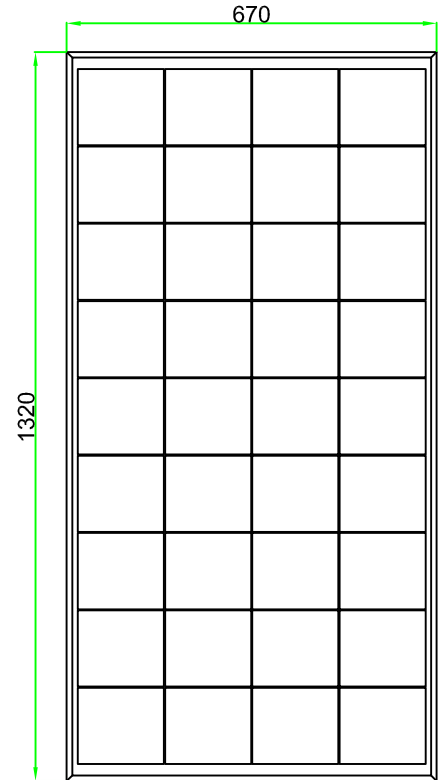
Mechanical Characteristics

Weight **12.2KG**

Dimension **1320*670*35**

Frame **>10um clear anodized**

Dimensions



Note: All electrical parameters are rated at standard test conditions (irradiance of 1000W/m², AM 1.5G, cell temperature 77°F/25°C)