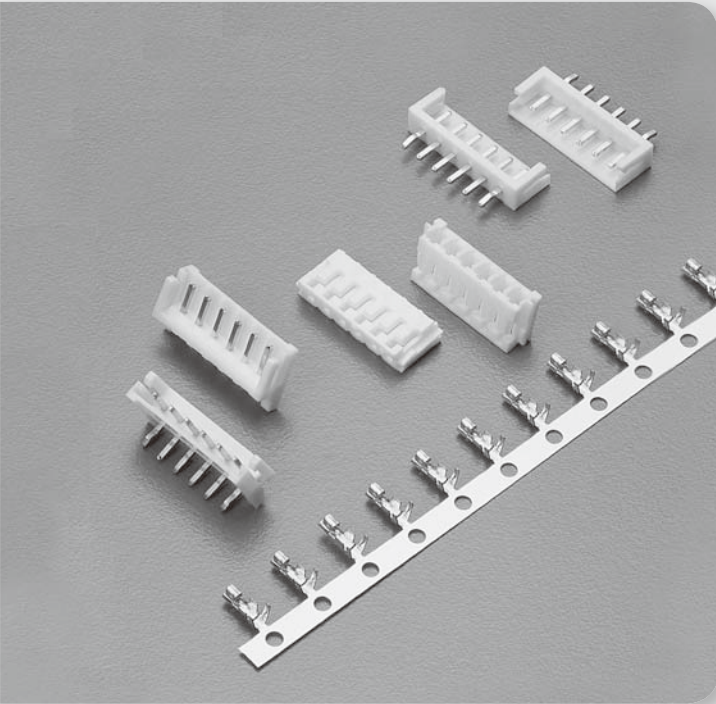


2.50mm (.098") Crimp Style Connectors



Specifications

- Voltage Rating : 250V AC/DC
- Current Rating : 3A AC/DC
- Withstanding Voltage : 800V AC/minute
- Insulation Resistance : 1000M Ω min.
- Temperature Range : -25°C to + 85°C
- Contact Resistance : 20m Ω max.

Features:

■ HOUSING

Part No. : JS-1131

Poles : 2 - 15

Material : Nylon 66 UL94V-0

Q,ty : 1,000 pcs/Bag

■ WAFER

Part No. : JS-1132 (Straight)

JS-1132R (Right Angle)

Poles : 2 - 15

Material : Contact : Brass, Tin Plated

Base : Nylon 66 UL94V-0

Q,ty : 1,000 pcs/Bag

■ TERMINAL

Part No. : JS-1131-T

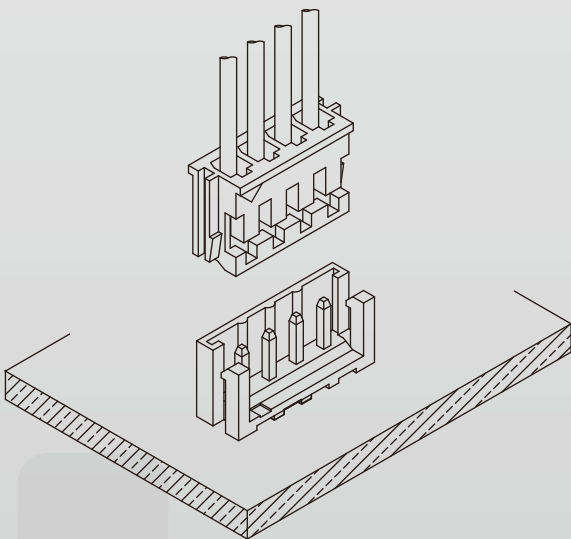
Applicable Wires : AWG# 22 - 28

Material : Phos. Bronze

Finish : Tin Plated

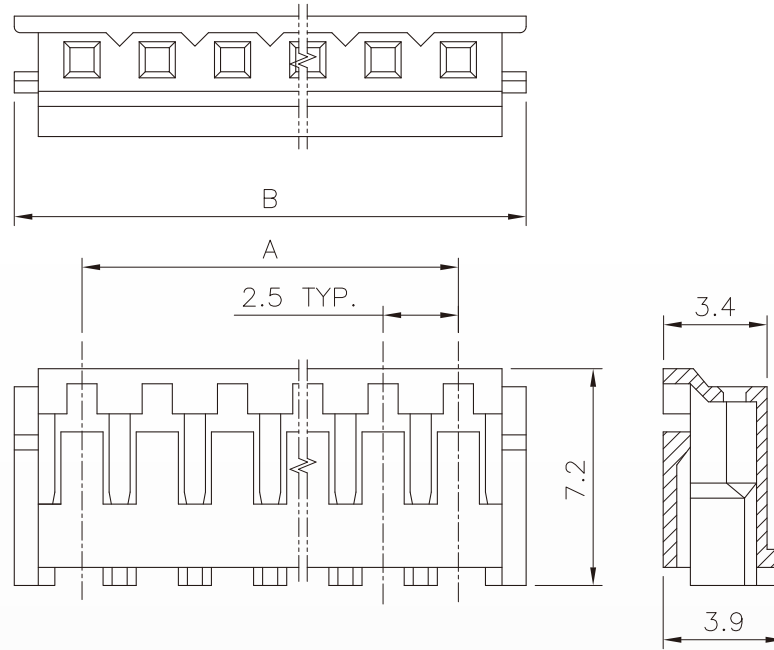
Thickness : 0.2mm

Q,ty : 10,000 pcs/Reel



2.50mm (.098") Crimp Style Connectors

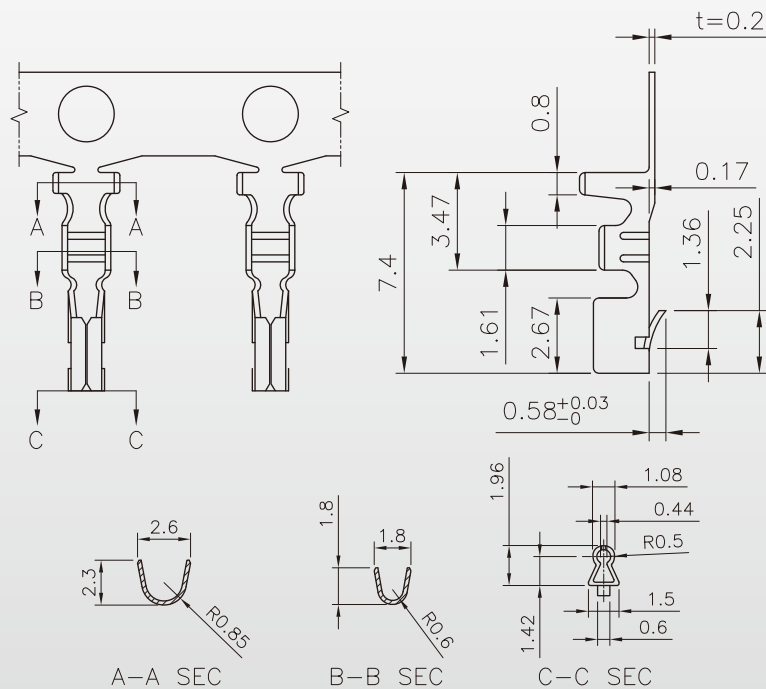
Housing JS-1131



Poles	Part No.	Dimensions (mm)	
	JS-1131	A	B
2	JS-1131-02	2.50	7.00
3	JS-1131-03	5.00	9.50
4	JS-1131-04	7.50	12.00
5	JS-1131-05	10.00	14.50
6	JS-1131-06	12.50	17.00
7	JS-1131-07	15.00	19.50
8	JS-1131-08	17.50	22.00

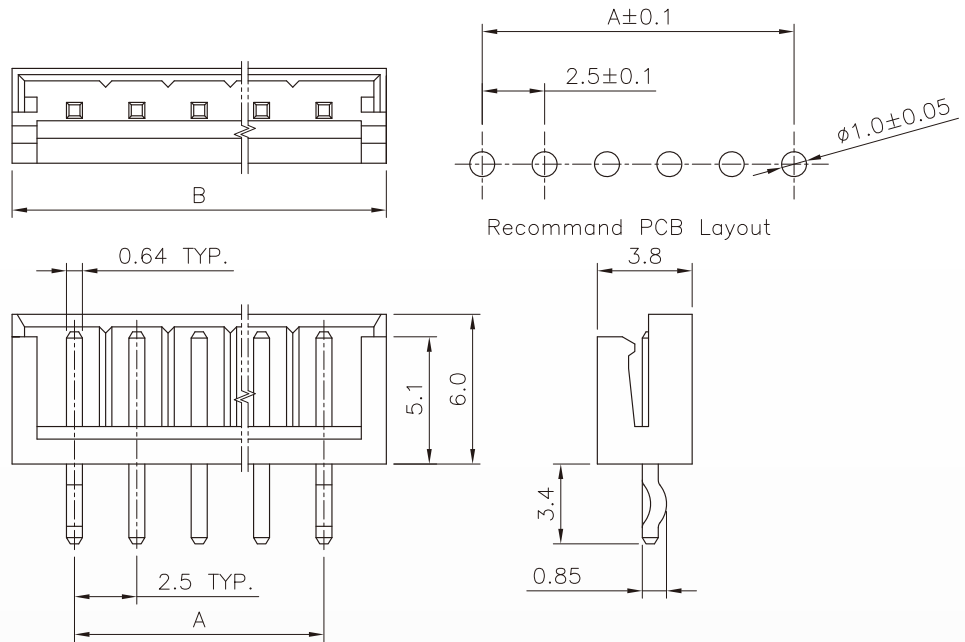
Poles	Part No.	Dimensions (mm)	
	JS-1131	A	B
9	JS-1131-09	20.00	24.50
10	JS-1131-10	22.50	27.00
11	JS-1131-11	25.00	29.50
12	JS-1131-12	27.50	32.00
13	JS-1131-13	30.00	34.50
14	JS-1131-14	32.50	37.00
15	JS-1131-15	35.00	39.50

Terminal JS-1131-T



2.50mm (.098") Crimp Style Connectors

Wafer - Straight JS-1132



Poles	Part No.		Dimensions (mm)	
	JS-1132	JS-1132R	A	B
2	JS-1132-02	JS-1132R-02	2.50	7.50
3	JS-1132-03	JS-1132R-03	5.00	10.00
4	JS-1132-04	JS-1132R-04	7.50	12.50
5	JS-1132-05	JS-1132R-05	10.00	15.00
6	JS-1132-06	JS-1132R-06	12.50	17.50
7	JS-1132-07	JS-1132R-07	15.00	20.00
8	JS-1132-08	JS-1132R-08	17.50	22.50

Poles	Part No.		Dimensions (mm)	
	JS-1132	JS-1132R	A	B
9	JS-1132-09	JS-1132R-09	20.00	25.00
10	JS-1132-10	JS-1132R-10	22.50	27.50
11	JS-1132-11	JS-1132R-11	25.00	30.00
12	JS-1132-12	JS-1132R-12	27.50	32.50
13	JS-1132-13	JS-1132R-13	30.00	35.00
14	JS-1132-14	JS-1132R-14	32.50	37.50
15	JS-1132-15	JS-1132R-15	35.00	40.00

Wafer - Right Angle JS-1132R

