

LED Corn Bulb Lamp Series



5 Years Warranty

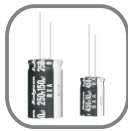


Specifications

Model	BWRL-120W-A
Rate Power	≤ 126W
Input Voltage	AC100-277V 50-60Hz
CCT	2700-7000K
Power Factor	≥ 0.9
CRI	>80
Lumen	12600±630lm
Brand	Samsung
LED Quantity	336LEDs 0.3W
LED LM80	Yes



Samsung LM561B



Rubycon

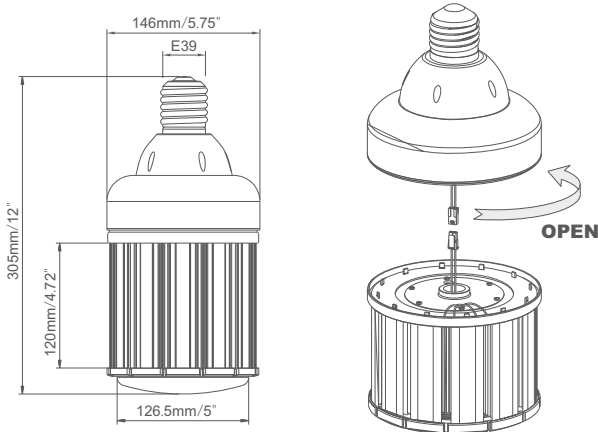


E39

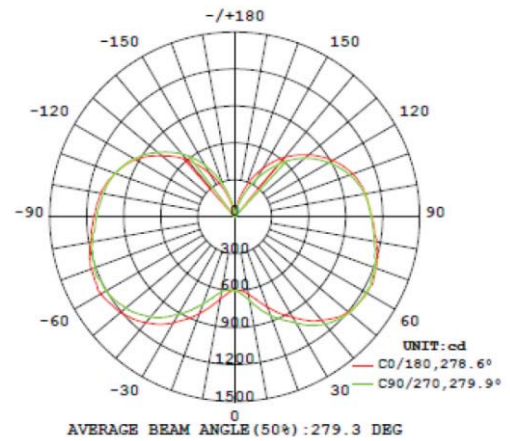


JAE Connector

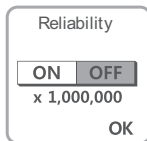
Dimension



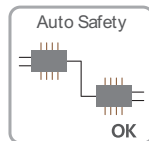
Luminous emittance



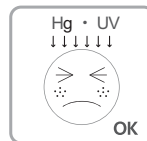
Long Lifespan of 10years



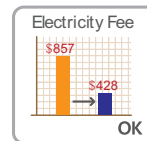
Reliability Test



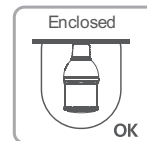
Safety Protection Circuit



No Mercury
No UVLight



Big Saving(87%)
on Electricity Costs



Usable in Enclosed
Luminaires

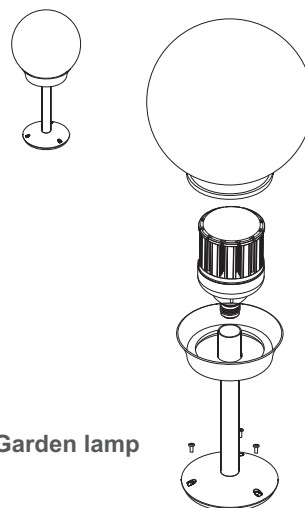


Omni Wide Angle

Installation



High bay lamp

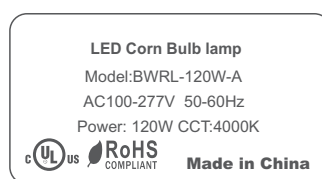


Garden lamp

Absolute Maximum Rating

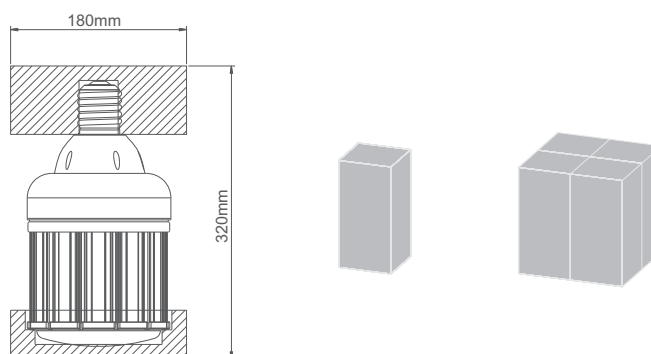
Parameter	Rating	Units
Aluminum Heat Sink Temperature	65	° C
Operating Temperature	-20~+50	° C
Storage Temperature	-40~+80	° C
Equilibrium Temperature	25	° C

Label



Product Packing Specification

Packing Details	
Pack Quantity	4pcs
Net Weight	4lbs/1828g
Gross Weight Per CTN	19.8lbs/9kg
Box Size	7.4*7.4*13.2" 188*188*335mm
CTN Size	15.7*15.7*14" 400*400*355mm



⚠ CAUTIONS

- Make sure remove the traditional ballast before replace the LED corn light.
- Don't take apart the product or replace mechanical and electronic components.
- Don't stare at the strong light for a long time as it may cause injury to eyes.