

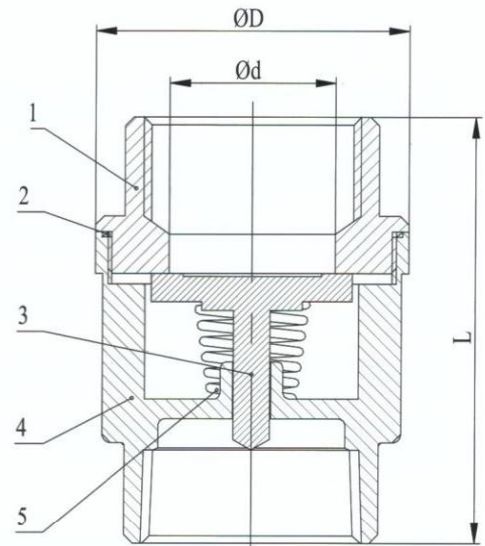
2-PC SPRING VERTICAL CHECK VALVE, 1000 WOG SIZE:1/4"-4"

- Pressure Rating: 1000PSI (PN63)
- Threaded Ends: ANSI B2.1, BS 21, DIN 259/2999
- Material: CF8M, CF8, CF3M, WCB
- Pressure Test : API 598



MATERIAL LIST

ITEM	PART	MATERIAL	QTY
1	CAP	CF8M	1
2	BODY GASKET	PTFE	1
3	DISC	CF8M	1
4	BODY	CF8M	1
5	SPRING	SS316	1



DIMENSION TABLE

SIZE	d	D	L	KGS
1/4"	8	30.5	53	0.17
3/8"	10	30.5	53	0.15
1/2"	15	37	56	0.21
3/4"	20	42	63	0.29
1"	25	48	74	0.40
1-1/4"	30	58	81	0.65
1-1/2"	38	70	91	0.98
2"	47	82	97	1.40
2-1/2"	61	102.5	118	2.44
3"	75	120	138	3.80
4"	94	150	158	6.60

E-MAIL: nancygao@public.qd.sd.cn
nancygao@bdchina.com

TEL: 0086/532/66753307 OR 013953280182
 FAX: 0086/532/66753309 OR 85791651