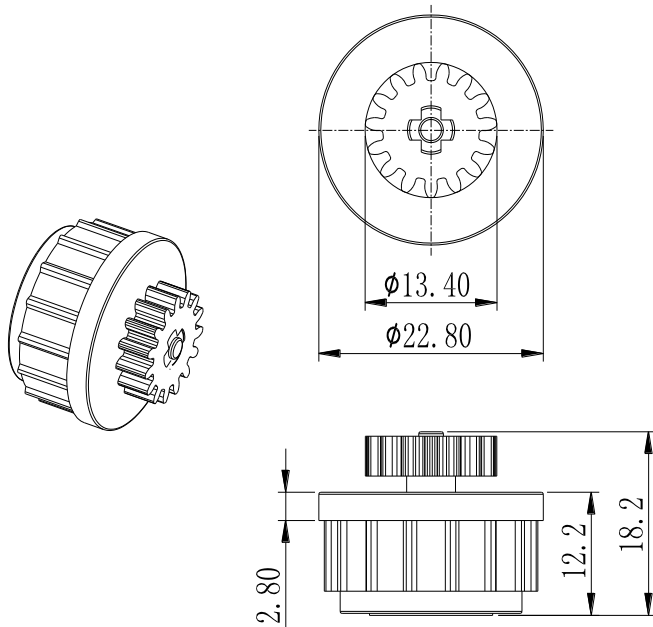


1. 产品简图 (product sketch)



产品描述 (description)

型号 (type): HCL-18

材料 (material): ABS/POM

颜色: 黑色

Color: black

单位 (unit): MM

防火等级 (Fireproofing level)

(UL) 94-V2

2. 产品参数 (Product Parameter)

型号 type	齿轮齿数 (z) Number of teeth	齿轮模数 (m) Module	分度圆直径 (d) Pitch Circle Diameter	齿形角 (α) Pressure Angle
HCL-18	15	0.8	12	20°

3. 产品用途 (Application)

目前广泛应用于各种座椅, 车载CD、车镜、车载烟灰缸、垃圾桶, 马桶盖, 家具抽屉、橱柜、音响、杯架、卡片盒、顶置太阳镜托、衣服架、把手、油箱盖、灯具箱、储物箱或盒、卷帘、各类小、中型箱盒等翻盖、伸缩、滑动类产品上, 具有防震作用并减缓门开合速度, 使其平顺流畅, 有效降低产品使用过程中产生的噪音, 提升整个产品档次。

Widely applied in all kinds of chairs, auto/ vehicle CD, mirrors, vehicle ashtray, garbage can, toilet cover, furniture drawer, cabinet, sound, cup holder, handle, card box, overhead sunglasses holder, clothes holder, handle, fuel tank cap, storage compartment, roller blind, small-to-midsize boxes, flexible and slidable products. Create smooth movement and damping in application, effectively reduce noise and highly upgrade product level

4. 产品性能 (Function)

该系列产品为双向阻尼, 利用流体阻力原理减振, 可用于不同的齿轮和转矩设备。扭矩会根据回转速度的变化而变化, 会根据环境温度的变化而变化; 外形可根据客户使用情况, 选择双边安装或多种种卡扣形式直接安装。

Bidirectional, by utilize the principle of fluid resistance to reduce the speed of moving parts and create a smooth and soft movement; it can be applied in different gear and torque device. Torque will be different at different temperature and rotation speed. Customers can mount the damper either bilaterally or with various clips according to specific need.

5. 适用环境 (Operating temperature): -30° +80°

6. 使用寿命 (life span): 5万次以上 (At least 50000 times)