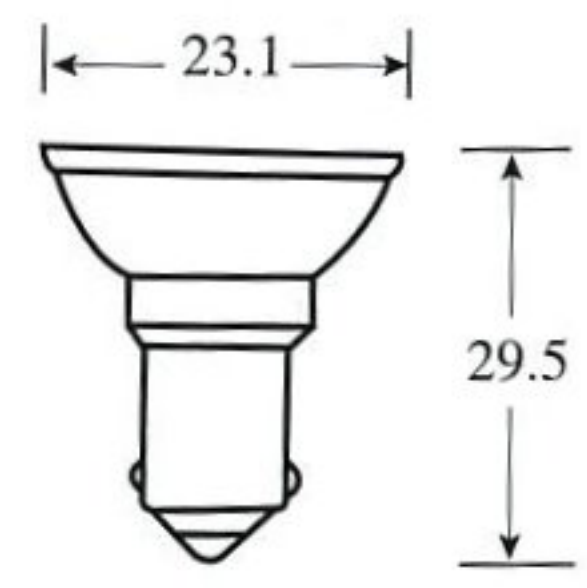
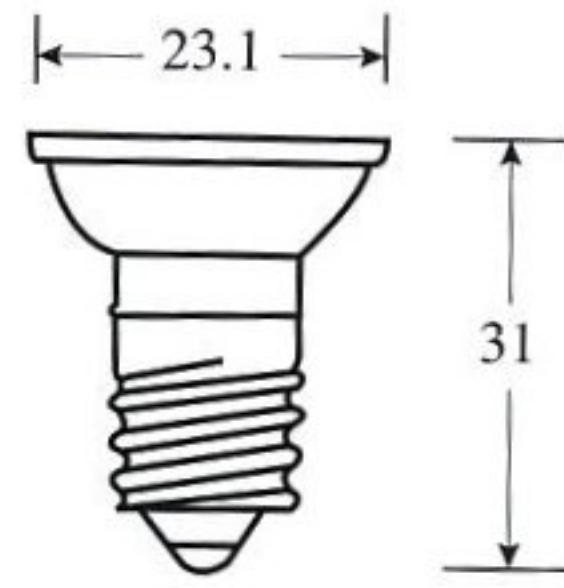




T-2 REFLECTOR (INCANDESCENT)

MINIATURE LAMPS

Applications:
Indicator Type

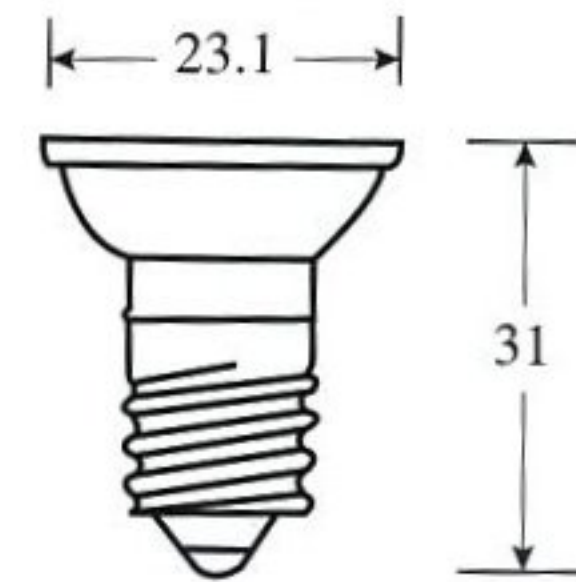


LINE NO.	DESIGN		M.S.C.P. (APPROX.)	LIFE (HRS.)	FILAMENT SHAPE	CANDELABRA SCREW BASE	MINIATURE BAYONET BASE
	VOLTS	AMPS					
1	6.0	0.140	-	20000	C-2V	6RC	6RB
2	12.0	0.170	-	12000	C-2F	12RC	12RB
3	24.0	0.073	-	10000	C-2F	24RC	24RB
4	28.0	0.400	-	5000	C-2F	28RC	28RB
5	48.0	0.050	-	10000	C-2F	48RC	48RB
6	60.0	0.050	-	7500	CC-2F	60RC	60RB
7	120.0	0.025	-	7500	CC-3A	120RC	120RB

T-2 REFLECTOR (NEON)

MINIATURE LAMPS

Applications:
Indicator Type



LINE NO.	DESIGN		RESISTOR (OHM)	LIFE (HRS.)	FILAMENT SHAPE	CANDELABRA SCREW BASE
	VOLTS	AMPS				
8	120	3.5mA	18K	10000	-	120RC-NEON
9	120	3.5mA	10K	10000	-	120RC-NEON-A