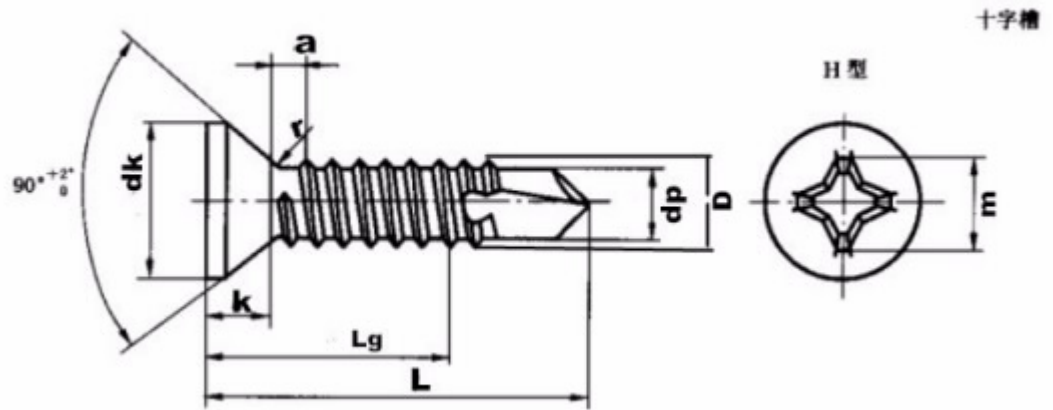


JIANZI FASTENES CO., LTD



countersunk head self-drilling screw (Cross recessed) www.jz0577.com

DxL (mm)	a(mm)	dk(mm)	m(mm)	dp(mm)	Depth range Head(mm)	Thickness range (mm)
ST3.5x(13~45)	1.3	7.3	4.8	2.8	2.25~2.75	0.7~2.25
ST4.2x(13~60)	1.4	8.4	5.2	3.6	2.7~3.2	1.75~3
ST4.8x(16~100)	1.6	9.3	5.4	4.1	2.9~3.4	1.75~4.4
ST5.5x(19~150)	1.8	10.3	6.7	4.8	2.95~3.45	1.75~5.25
ST6.3x(19~150)	1.8	11.3	7.3	5.8	3.5~4	2~6

温州市坚字标准件有限公司