

Index:

- 1. Revision History / Page 3**
- 2. Specification / Page 4**
- 3. Characteristics and Reliability Test / Page 5**
- 4. Antenna - S Parameter Test Data / Page 6**
- 5. Antenna - Radiation Pattern Test Data / Page 7 ~ 8**
- 6. Mechanical and Packing Drawing / Page 9 ~ 10**
- 7. Material Description and RoHS Test Report / Page 11 ~ end**

Product Number: AG1575-0251SM

Product Name: GPS Antenna



1. Revision History


Revision	Date	Change Notification	Description
1.0			

Product Number: AG1575-0251SM

Product Name: GPS Antenna



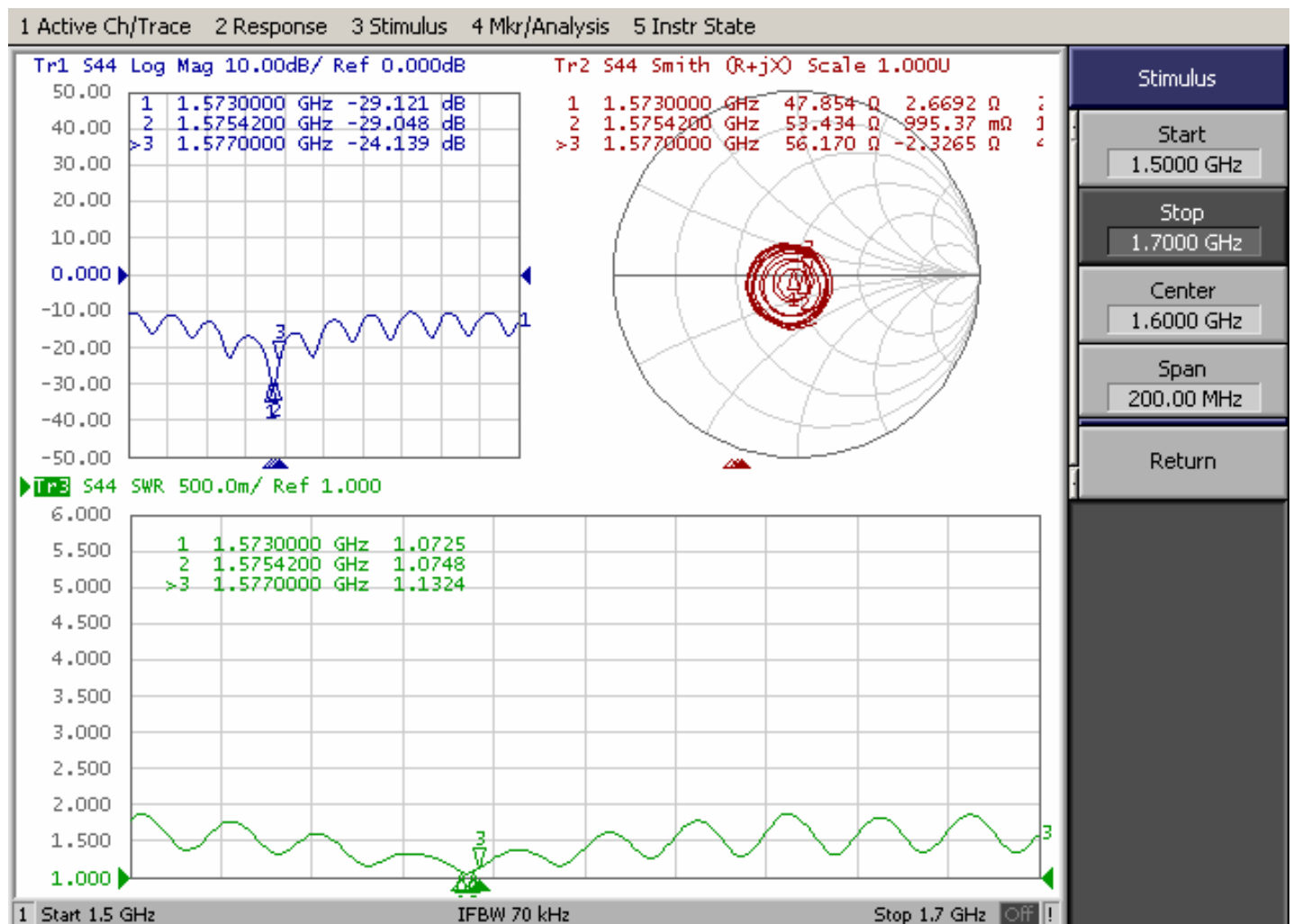
2. Specification

Sample Photo	
	
A. Electrical Characteristics	
Frequency	1575.42 ± 5 MHz
S.W.R.	≤ 2.0
Antenna Gain	4.5 dBic (Typical)
Polarization	RHCP
Impedance	50 Ohm
LNA Gain	≤ 28 dB (with Filter)
Noise Figure	1.5 dB
DC Voltage	3 ~ 5 V
DC Current	8 ~14 mA
B. Material & Mechanical Characteristics	
Material of Plastic	ABS
Cable Type	RG-174 // 5000 mm
Connector Type	SMA Male
Pull Test - Connector	≥ 3 Kg
C. Environmental	
Operation Temperature	- 40 °C ~ + 65 °C
Storage Temperature	- 40 °C ~ + 80 °C

3. Characteristics and Reliability Test

Test Items		Test Condition and Procedure	Requirements
C1	S.W.R.	Set DUT on Network Analyzer; make individual calibration to test	Directive DUT specification
C2	Antenna Gain	Set DUT on Antenna Chamber; make individual calibration to test	Directive DUT specification
M1	Vibration	GB / T2423 . 48-1997 Amplitude: 0.03 inch (1.5mm); Freq: 20 to 80 to 20 Hz 3 directions; 2 hours for each direction	1. No Visual Damage 2. Frequency Tol.<= 5%
M2	Random Drop	GB / T2423.8-1995 Height: 1.0 Meter; 3 directions; 1 time for each direction	1. No parts separated 2. Frequency Tol.<= 5%
M3	Solderability	GB 2423 . 28- 82 Solder iron: 260±5°C; Duration: 5 seconds	1. Mounted on PCB 2. No Visual Damage
M4	Terminal-Pull Test	Holding with individual specification; force applied to axis of terminal	1. Directive DUT specification 2. Frequency Tol.<= 5%
M5	Terminal-Torque Test	Holding with individual specification; applied clockwise and counterclockwise to the axis of terminal	1. Directive DUT specification 2. Frequency Tol.<= 5%
M6	Dimension	Inspection of dimension, color, material, package, surface process	Directive DUT specification
E1	Salt Spray	GB / T 2423 . 17- 93 Temp: 35°C; RH: >= 95%; NaCl solution: >= 5%; Time: 24 hours	After 2 Hours Recovery 1. No Visual Damage 2. Frequency Tol.<= 5%
E2	Humidity	GB / T 2423 . 4 - 93 Temp: 80°C / 12 H; -40°C / 12H RH: >= 90%; Time: 24 hours	After 2 Hours Recovery 1. No Visual Damage 2. Frequency Tol.<= 5%
E3	Thermal Shock	GB / T 2423 . 22 - 87 1 Cycle: - 40°C (30 minutes) to + 80°C (30 minutes) Cycles: 24	After 2 Hours Recovery 1. No Visual Damage 2. Frequency Tol.<= 5%
E4	Life (High Temp.)	GB /T 2423 . 2 - 89 Temp: 80°C; Time: 24 hours	After 2 Hours Recovery 1. No Visual Damage 2. Frequency Tol.<= 5%
R1	RoHS	With Reference to IEC 62321:2008 with flow chart	Directive RoHS 2011/65/EU
R2	PFOS	With Reference to USA EPA 3540C:1996 by LC/MS	Directive RoHS 2006/122/EC
R3	PFOA	With Reference to USA EPA 3540C:1996 by LC/MS	Directive RoHS 2006/122/EC

4. Antenna - S Parameter Test Data



5. Antenna - Radiation Pattern Test Data

Testing Equipment Specification:

Antenna Anechoic Chamber Dimension: 8 x 4 x 4 m

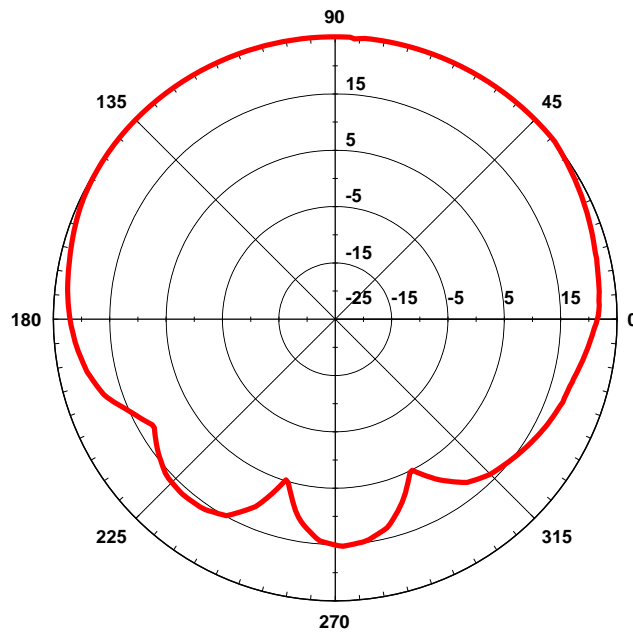
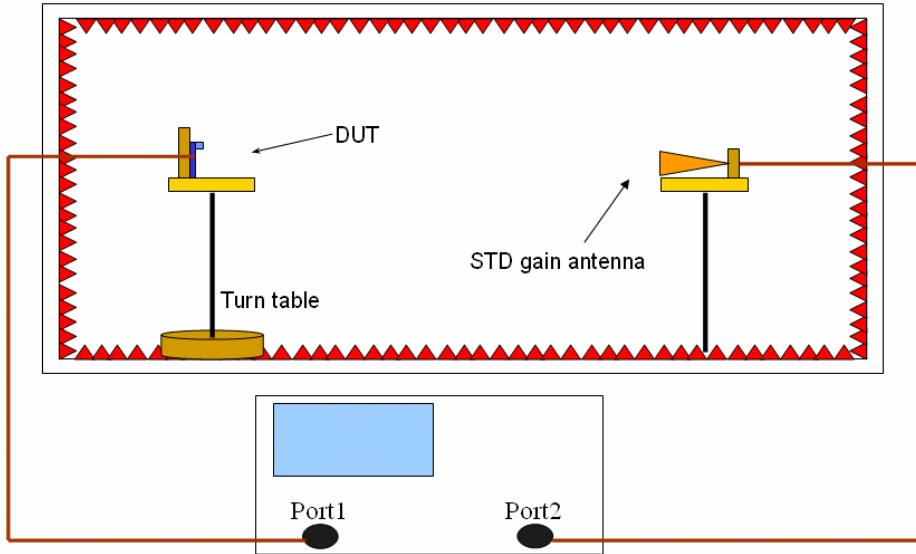
Quiet Zone: 600mm @1 GHz

Isolation: >100dB @ 1 MHz ~ 10 GHz

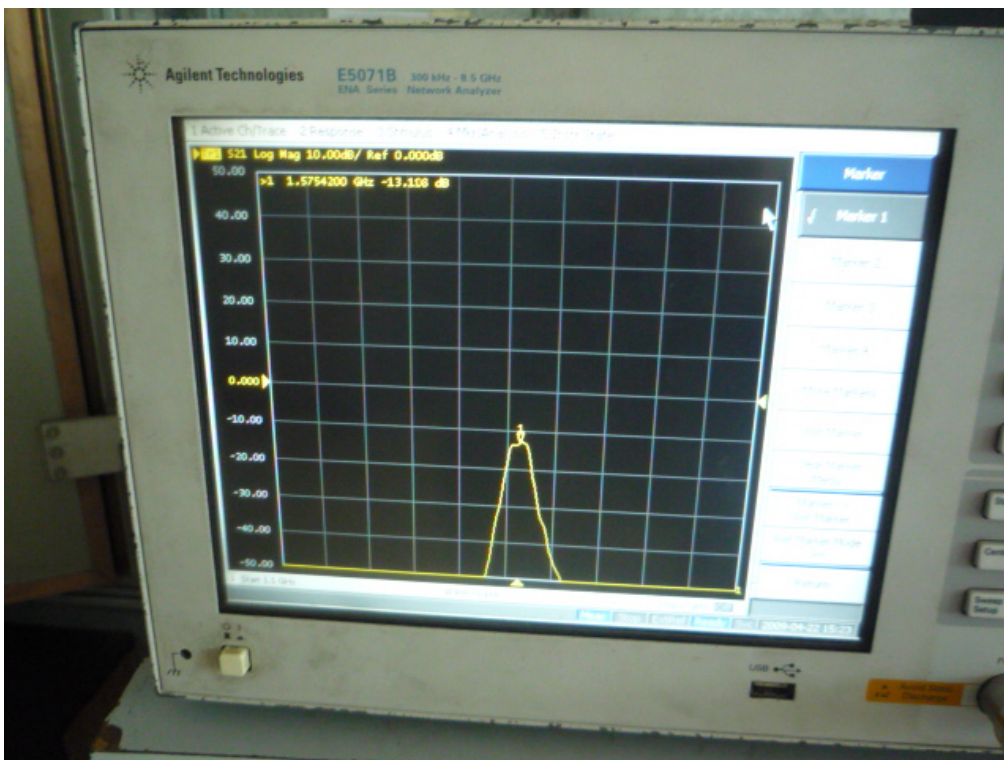
Testing Equipment: Agilent 5071B

Received Antenna: 0.7 ~ 6.0 GHz for Gain Calibration

Double Ridged Horn Antenna



Product Number: AG1575-0251SM
Product Name: GPS Antenna



6. Mechanical Drawing
See attached files

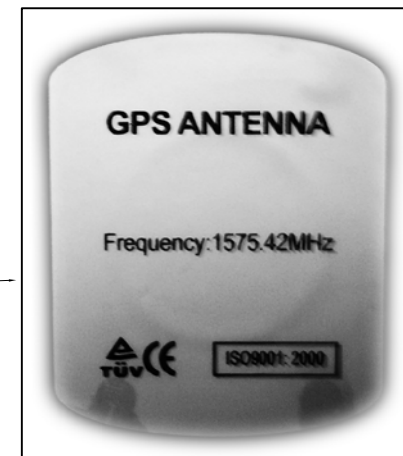
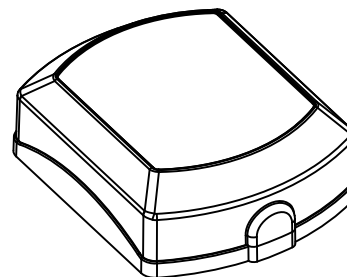
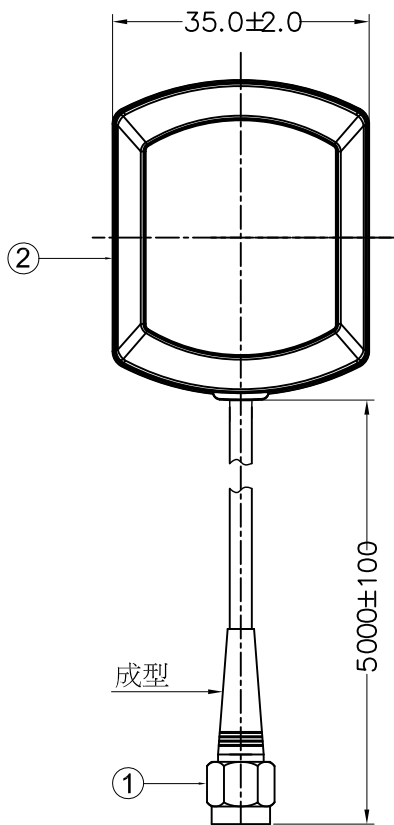
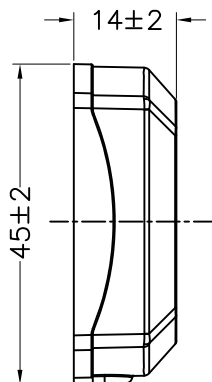
7. Material Description and RoHS Test Report
See attached files

RoHS

Compatible



SIGN	DATE	DESCRIPTION	APPROVER
△			
△			
△			

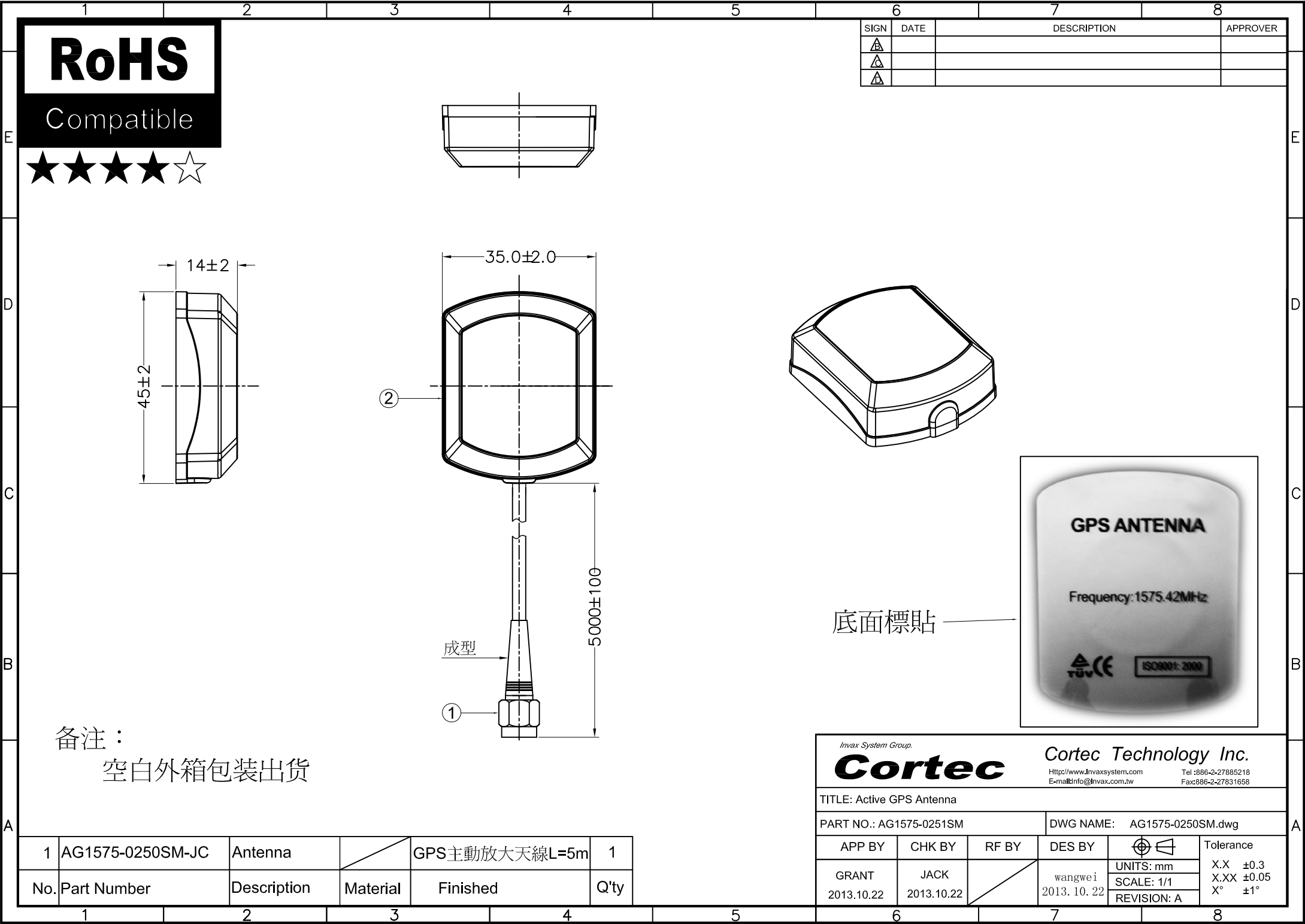


底面標貼

备注：
空白外箱包装出货

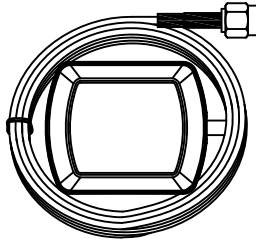
Invax System Group.		Cortec		Cortec Technology Inc.	
		Http://www.invaxsystem.com		Tel: 886-2-27885218	
		E-mail: info@invax.com.tw		Fax: 886-2-27831658	
TITLE: Active GPS Antenna					
PART NO.: AG1575-0251SM			DWG NAME: AG1575-0250SM.dwg		
APP BY	CHK BY	RF BY	DES BY		Tolerance
GRANT	JACK		wangwei	UNITS: mm	X.X ±0.3
2013.10.22	2013.10.22		2013.10.22	SCALE: 1/1	X.XX ±0.05
				REVISION: A	X° ±1°

No.	Part Number	Description	Material	Finished	Q'ty
1	AG1575-0250SM-JC	Antenna		GPS主動放大天線L=5m	1

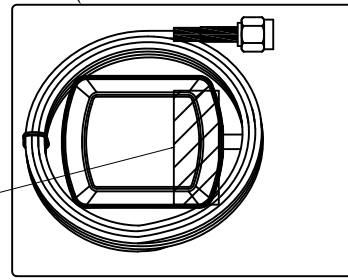


Part Number : AG1575-0251SM	Revision : A
Name: Antenna GPS	Customer : 寶平

一. 裝天線入PE袋

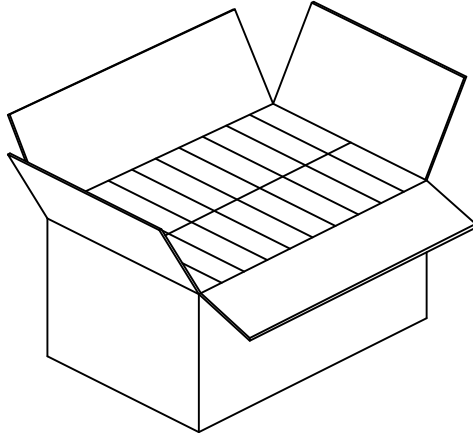


PE袋

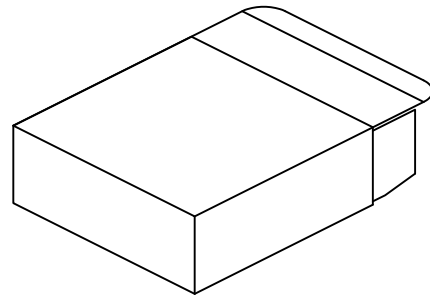


條碼標貼統一
貼于PE袋中間位置

三. 裝箱



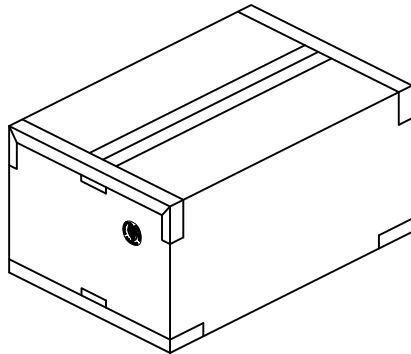
二. 裝入白盒



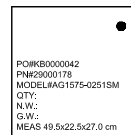
空白外箱 規格:
49.5x22.5x27cm
100PCS/箱/12kg

規格:120x96x20mm
1PCS/盒/115g

四. 封箱



側麥



正麥



外箱側麥右上角貼一張ROHS標籤。
空白外箱，正麥側麥內容以A4紙打印貼上。
須填寫產品品號/數量/淨重/毛重。
或以實際重量填寫。