

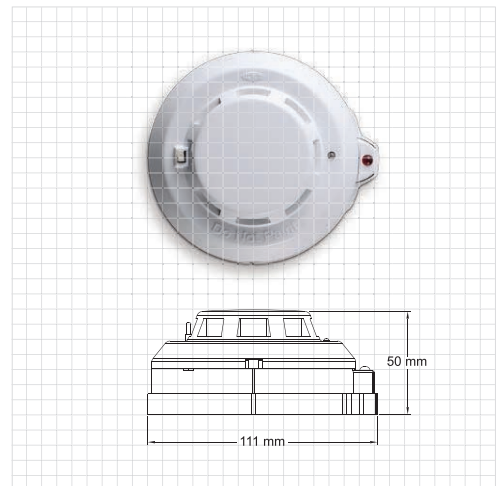
# AH-9315

## Combination Smoke and Heat Detector

### Characteristics

- Multi-purpose Design: when there is smoke or heat during pre-fire period, field situation will vary due to different environments. This combination design is to ensure that the pre-fire confirmation will not be affected by varying environments.
- Smoke gate has a special design to obscure the strong light effectively and allow smoke to come in easily. Water vapor will not gather on the insect guard screen to cause a false alarm.
- Features an accumulated water discharger to eliminate leakage of water from the water pipes or ceiling which may leak into the detector and cause a false alarm.
- This detector has passed strict quality control and repetitive testing, hence its quality is stable and highly reliable.

Approvals: 



Specifications			
Model	AH-9315		
Type	2-wire	3-wire	4-wire
Alarm Contact	N/A	N/A	0.8A @30V DC 0.4A @125V AC
Voltage Range	12 ~ 30V DC		
Alarm Current @24V DC 470Ω	35mA	35mA	30mA
Standby Current	20 ~ 30μA (Loop response under 75μA)		
Sensitivity Setting	Comply to EN54		
Thermal Setting	55°C		
Ambient Temperature	-10°C ~ +55°C		
Material	Fire-proof plastic		
Dimensions	111mm(Dia.) x 50mm(H)		
Weight	About 170g		
Color	White		

Effective alert area	
Building Height	Area Covered
Under 4M	150 M <sup>2</sup>
4 ~ 20M	75 M <sup>2</sup>