

2.54mm (.100") Screw Machine Pin IC Socket

Specifications

- Voltage Rating : 100V AC/DC
- Current Rating : 1A AC/ DC
- Withstanding Voltage : 1,000V AC/minute
- Insulation Resistance : 5,000M Ω min.
- Temperature Range : -40°C to + 105°C
- Contact Resistance : 15m Ω max.

Features:

- Part No. : JS-1179RFN-XX(With Middle Bar , Narrow Base Type)
JS-1179RF-XX(With Middle Bar , Wide Base Type)
JS-1179RF-XXN(Whitout Middle Bar , Narrow Base Type)

Poles : JS-1179RFN-XX (22-64)

JS-1179RF-XX (18-28)

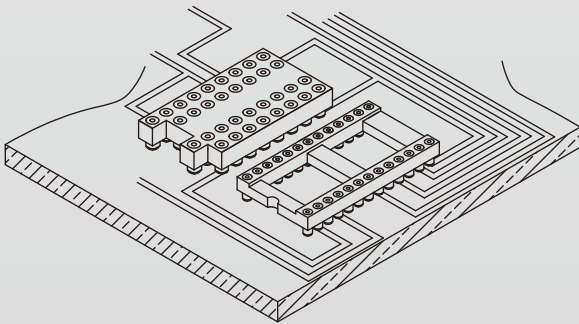
JS-1179RF-XXN (6-16)

Material : Beryllium : Copper(Becu), Gold Plated

Sleeve Barrel : Copper Alloy , Tin Plated

Base : PBT UL94V-0

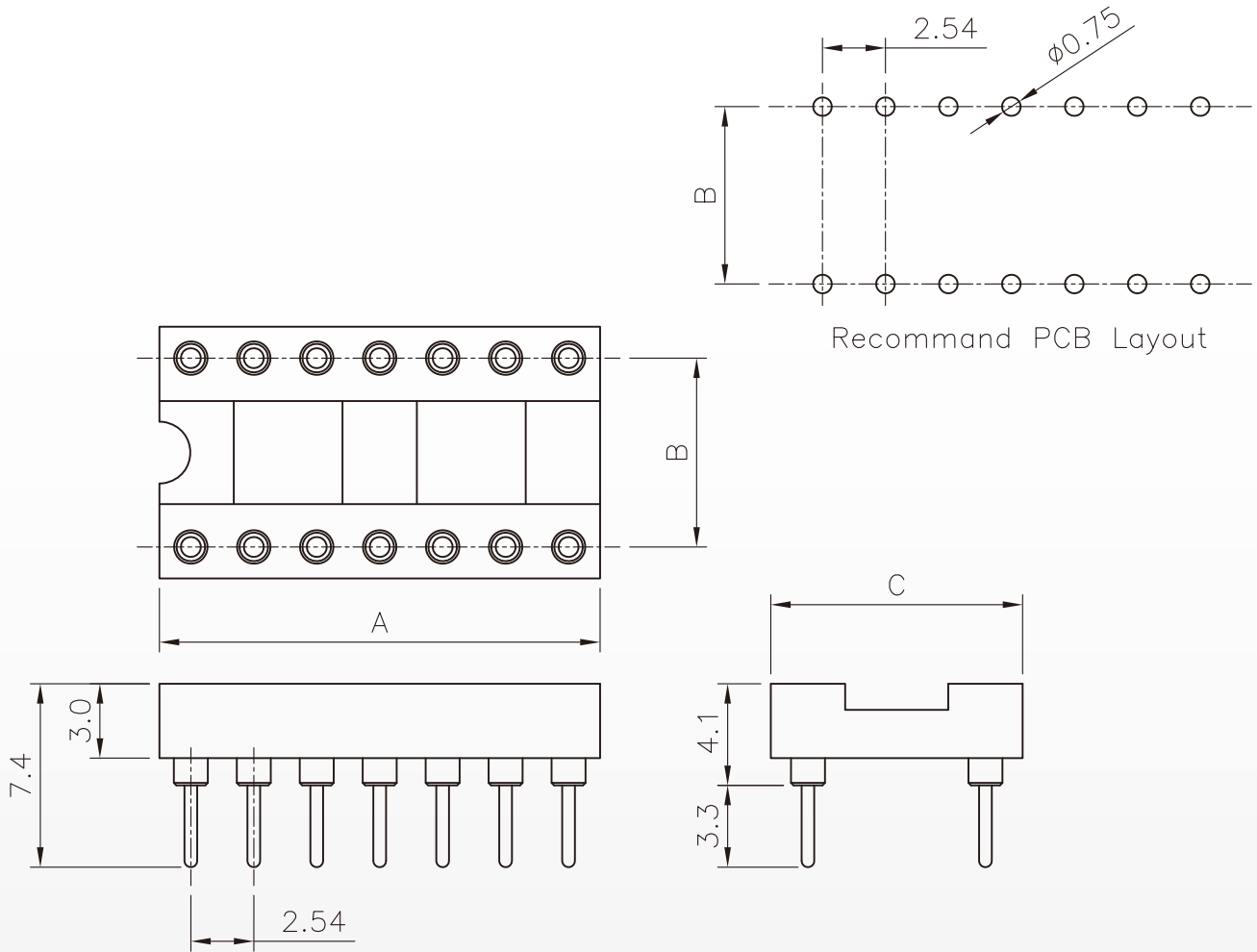
Q,ty : 1,000 pcs./Bag



2.54mm (.100") Screw Machine Pin IC Socket

JS-1179RF

JS-1179RFN



Poles	Part No.		Dimensions (mm)		
	JS-1179RF	JS-1179RFN	A	B	C
6	-----	JS-1179RFN-06	7.62	7.62	10.16
8	-----	JS-1179RFN-08	10.16	7.62	10.16
14	-----	JS-1179RFN-14	17.78	7.62	10.16
16	-----	JS-1179RFN16	20.32	7.62	10.16
18	-----	JS-1179RFN-18	22.86	7.62	10.16
20	-----	JS-1179RFN-20	25.40	7.62	10.16
22	-----	JS-1179RFN22	27.94	7.62	10.16
24	-----	JS-1179RFN-24	30.48	7.62	10.16
28	-----	JS-1179RFN-28	35.56	7.62	10.16
24	JS-1179RF-24	-----	30.48	15.24	17.78
28	JS-1179RF-28	-----	35.56	15.24	17.78
32	JS-1179RF-32	-----	40.64	15.24	17.78
40	JS-1179RF-40	-----	50.80	15.24	17.78
42	JS-1179RF-42	-----	53.34	15.24	17.78
48	JS-1179RF-48	-----	60.96	15.24	17.78