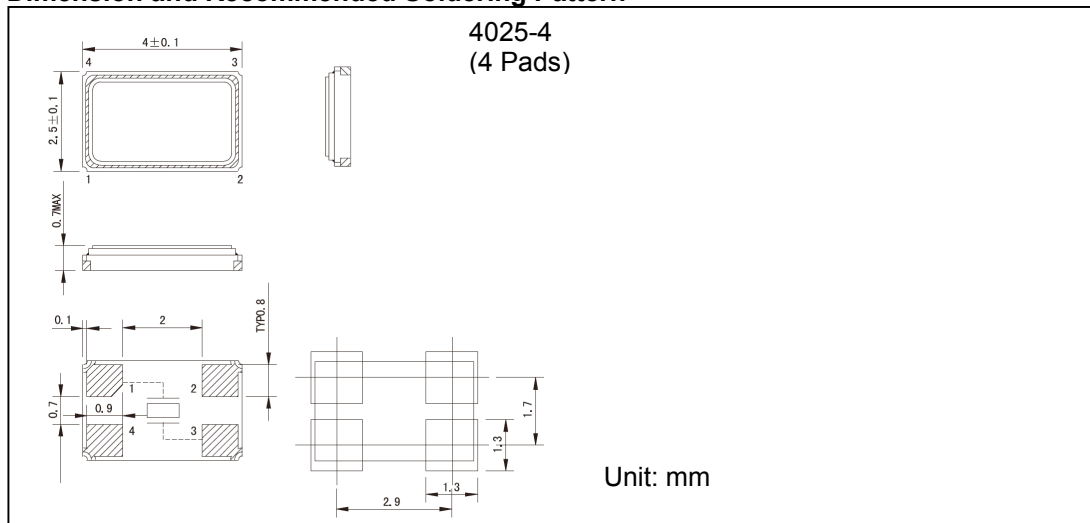




### Quartz Crystal Unit (4.0 x 2.5 x 0.7mm)

#### ● Dimension and Recommended Soldering Pattern



RoHS Compliant  
Directive 2002/95/EC

REACH Compliant  
(15 SVHCs)  
Regulation (EC) No.  
1907/2006

TS16949:2002  
Certified

#### ● Electrical Specifications

Holder type		4025-4 (4.0 x 2.5 x 0.7mm, surface-mounted, four pads)
Frequency range	Fo	12.000MHz to 50.000MHz
Frequency tolerance (at 25°C)	ΔF	±10ppm to ±100ppm
Frequency drift	Tc	±10ppm to ±100ppm
Operating temperature range	T0	-10°C ~ +60°C to -40°C ~ +85°C
Storage temperature range	TS	-40°C ~ +85°C to -55°C ~ +125°C
Aging (at 25°C)		±5ppm / year max.
Shunt capacitance	C0	7pF max.
Drive level	DL	100μW (typical)
Insulation resistance	Ri	500MΩ min. at DC100V
Load capacitance	CL	Suggested by customer

- The above information is for reference only. For other frequencies or specifications, please consult with our sales representatives for details.

#### ● Equivalent Series Resistance and Mode of Operation

Frequency range	Equivalent series resistance	Mode of Operation
12.000MHz to 15.999MHz	80Ω max.	Fundamental
16.000MHz to 19.999MHz	60Ω max.	Fundamental
20.000MHz to 23.999MHz	50Ω max.	Fundamental
24.000MHz to 50.000MHz	40Ω max.	Fundamental

- The above information is for reference only. For other frequencies or specifications, please consult with our sales representatives for details.