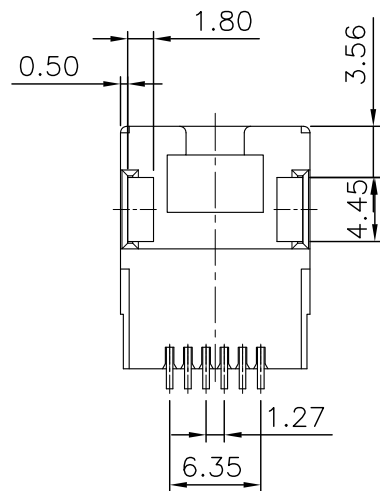
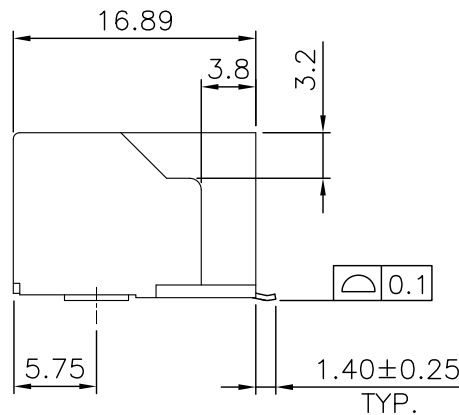
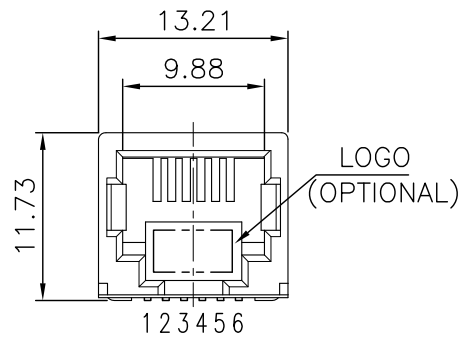


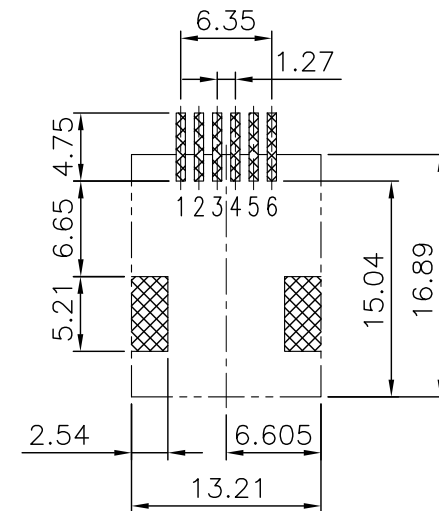
MATERIAL:

- HOUSING—PA9T GN2330
HEAT RESISTANT PLOYAMIDE RESIN
BLACK COLOR, UL94V-0
OR—DSM STANYL TE250F6 (NYLON-46)
HEAT DEFLECTION TEMP.290°
BLACK COLOR, UL94V-0.
- CONTACTS—0.35mm THICK PHOS-BRONZE
PLATED WITH HARD GOLD AND
GOLD FLASH IN SOLDER AREA.
- HOLD DOWN—0.30mm PHOS-BRONZE,
PLATED WITH TIN.

CAVITY CONFIRMS TO FCC RULES AND REGULATIONS
PART 68,SUBPART F.



COPLANARITY SPECIFICATION:
WITH THE MODULAR JACK SITTING
ON A LEVEL SURFACE.
THE MAXIMUM GAP BETWEEN
THE LEVEL SURFACE AND ALL
TERMINAL TAILS AND BOTH FITTING
NAILS IS 0.10mm/m



PCB LAYOUT
Ref.

RoHS Compliant

TOLERANCES ARE



煜倫股份有限公司

www.morethanall.com

DRAWING BY CY

CHECKED BY GENIUS

UNIT / mm

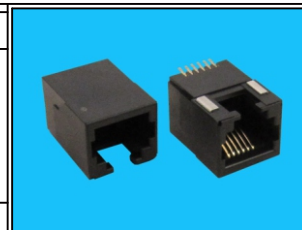
SCALE 1 : 1

DATE

SIZE A4

PJECTION

X, ±
.X ± 0.25
.XX ± 0.13
.XXX ± 0.05
ANG ±



ORDER INFORMATION

MJW11-KX06N-0606-LF

SERIES | | | | | | LEADFREE
6P6C
INNER EAR
06u" GOLD
NON EARS
BLACK

DESCRIPTION: RJ11, SMT TYPE, SHIELDLESS SIDE ENTRY PCB JACK