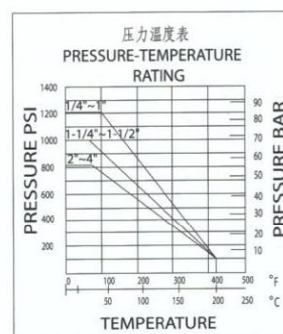


3-PC BALL VALVE, FULL BORE, THREADED END, 1000WOG SIZE:1/4"-4"

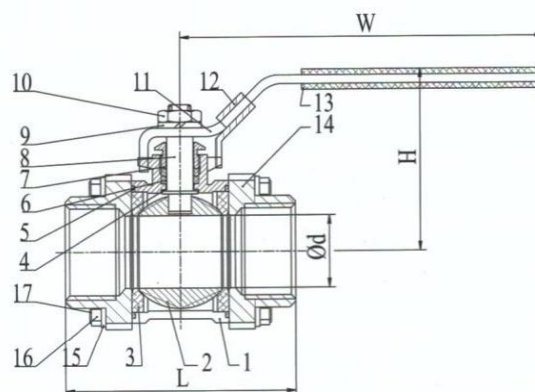


- Investment Castings For Body And Cap
- Internal Entry Blow-Out Proof Stem
- Pressure Rating: 1000PSI (PN63)
- Threaded Ends: ANSI B2.1, BS 21, DIN 259/2999
- Material: CF8M, CF8, CF3M, WCB
- Pressure Test : API 598



MATERIAL LIST

ITEM	PART	MATERIAL	QTY
1	BODY	CF8M	1
2	BALL	CF8M	1
3	BALL SEAT	PTFE	2
4	THRUST WASHER	PTFE	1
5	BODY GASKET	PTFE	2
6	STEM PACKING	PTFE	2
7	GLAND NUT	SS304	1
8	STEM	SS316	1
9	SPRING WASHER	SS304	1
10	NUT	SS304	1
11	HANDLE	SS304	1
12	HANDLE LOCK	SS304	1
13	HANDLE COVER	PLASTIC	1
14	CAP	CF8M	2
15	SPRING WASHER	SS304	4(6)
16	NUT	SS304	4(6)
17	BOLT	SS304	4(6)



DIMENSION TABLE

SIZE	d	L	H	W	N.M	KGS
1/4"	12.5	51	43.5	103	5	0.29
3/8"	12.5	51	44.5	103	5	0.29
1/2"	15	63	50	103	6	0.43
3/4"	20	71	59	127	10	0.61
1"	25	80	61	127	12	0.80
1-1/4"	32	94	79	154	17	1.43
1-1/2"	38	103	83	154	30	1.73
2"	50	126	94	195	48	2.72
2-1/2"	65	158	135	244	58	5.44
3"	80	179	144	244	96	7.64
4"	100	213	149	285	124	15.78