



# UHV-12X-U2 USB2.0 HD PTZ Video Conference Camera

- 1080P30
- 12XZoom
- 72.5° Angle
- USB2.0



## Advantages

- ※ Ultra crystal video quality: with Ambarella DSP 1/2.8 5MP Sensor and high quality 12x lens
- ※ Fast switching between different video formats: less than 1 second
- ※ Fast and accurate focus performance
- ※ Easy firmware upgrade: no need to open the camera housing
- ※ With powerful functional remote controller
- ※ FECC(Far and camera control) feature
- ※ Multi language OSD menu: support English, Chinese, Russia, Spanish
- ※ 2 years warranty time

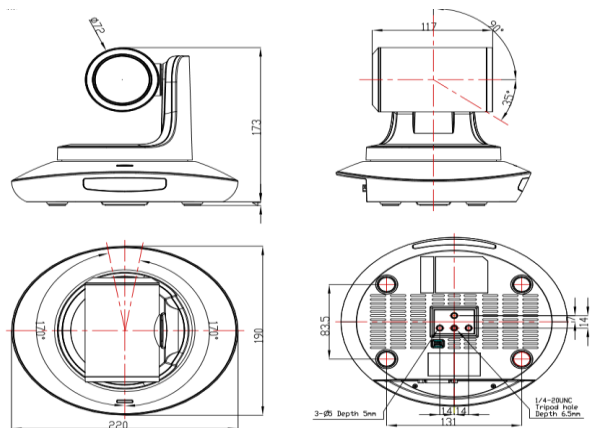
## Features

- ※ USB 2.0 high speed output
- ※ Zoom: 12X optical Zoom +2X Digital zoom
- ※ 1920x1080p 30fps high resolution
- ※ 72.5° field of view
- ※ Ultra smooth PTZ mechanism
- ※ Up to 128 presets
- ※ Effective RS232/RS485 serial control
- ※ WDR, 3D-noise reduction function
- ※ Image flip function support inverted installation
- ※ Mounts: Wall mount & in-ceiling mount available
- ※ Sony Visca and Pelco D/P protocol controls

## Input/Output Interface



## Dimensional Drawing(mm)



## Technical Specification

<b>Model No.</b>	<b>UHV-12X-U2</b>
<b>Sensor</b>	1/2.8 inch high quality, 5MP HD CMOS Sensor
<b>Video System</b>	1080p 30fps(MJPG), backward compatible; 640x480 30fps(YUY2)
<b>Zoom</b>	12x optical zoom + 2x digital zoom
<b>View Angle</b>	6.3°(wide) - 72.5°(tele)
<b>Pan Rotation Angle</b>	- 170° - +170°
<b>Tilt Roation Angle</b>	- 30° - + 90°
<b>Pan Rotation Speed</b>	0° - 120° /s
<b>Tilt Rotation Speed</b>	0° - 80° /s
<b>Preset</b>	128
<b>Control Port</b>	RS232/RS485/USB2.0
<b>Video Port</b>	USB2.0
<b>SNR</b>	More than 50dB
<b>Focal Length</b>	f=3.92(wide) - 47.32mm(tele)
<b>Minimum Lux</b>	0.01Lux
<b>White Balance</b>	Auto/Manual
<b>Focus</b>	Auto/Manual
<b>Iris</b>	Auto/Manual
<b>Electronic Shutter</b>	Auto/Manual
<b>BLC</b>	Auto/Manual
<b>Input Voltage</b>	DC12V
<b>Dimension(W x H x W)</b>	220mm x 173mm x 117mm
<b>Net Weight</b>	1.25KG(2.8LBS)

**\*\*\* Product specification are subject to change without notice \*\*\***