

# COT170E-IWF02

*17" Industrial Open-Frame Touch Monitor*

*IR Touch screens*



## *COT170E Serials Model Definitions*

COT170E-IWF02	2 Point Infrared Touch Screen	VGA/DVI	Plastic Front Frame
---------------	-------------------------------	---------	---------------------

***DongGuan CJTOUCH Electronic Co., Ltd.***

***PUBLISHED DATE:2013-03-08***

## Open Frame Touch Monitor Parameters

General	
Model	COT170E-IWF02
Series	Waterproof and Compact
Monitor Dimensions	<b>Width:</b> 368mm <b>Height:</b> 306mm <b>Depth:</b> 55mm
LCD Type	17" SXGA Color TFT-LCD
Video Input	VGA and DVI
OSD controls	Allow on-screen adjustments of Brightness, Contrast Ratio, Auto-adjust, Phase, Clock, H/V Location, Languages, Function, Reset
Power Supply	Type: External brick Input (line) voltage: 100-240 VAC, 50-60 Hz Output voltage/current: 12 volts at 4 amps max
Mount Interface	1)VESA 75mm and 100mm 2)Mount bracket, horizontal or vertical
LCD Specification	
Active Area(mm)	337.920(H)×270.336(V)
Resolution	1280×1024@75Hz
Dot Pitch(mm)	0.264×0.264
Nominal Input Voltage VDD	+5.0V(Typ)
Viewing angle (v/h)	85°/88°
Contrast	1000:1
Luminance(cd/m <sup>2</sup> )	250
Response Time(Rising/Falling)	5s/5s
Support Color	16.7M colors
Backlight MTBF(hr)	30000
Touchscreen Specification	
Type	Cjtouch Infrared IR touch screen Dual touch
Resolution	4096*4096
Light Transmission	92%
Touch Life Cycle	50 millions
Touch Response time	16ms
Touch System Interface	USB interface
Power consumption	+5V@80mA
External AC Power Adapter	
Output	DC 12V /4A
Input	100-240 VAC, 50-60 Hz
MTBF	50000 hr at 25°C
Environment	
Operating Temp.	0~50°C
Storage Temp.	-20~60°C
Operating RH:	20%~80%
Storage RH:	10%~90%

## Warranty and Components

1 Year Free Warranty for Monitor and all components.

USB Cable 180cm\*1 Pcs,

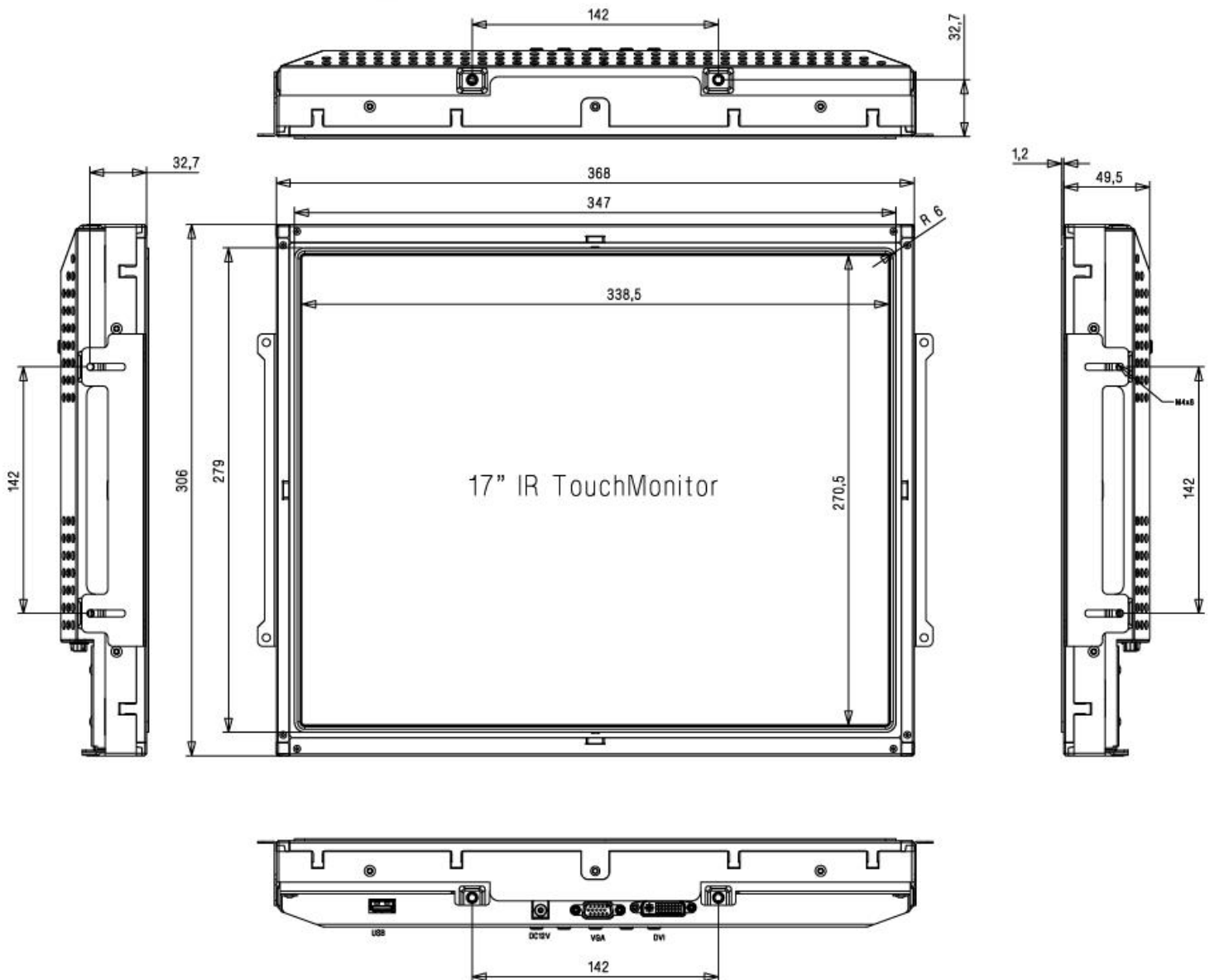
VGA Cable 180cm\*1 Pcs,

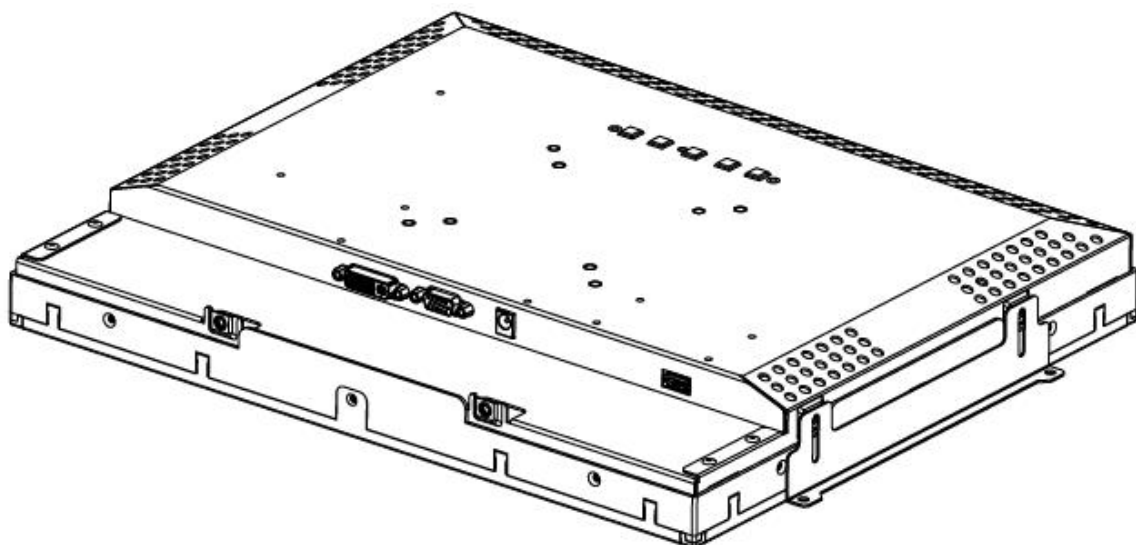
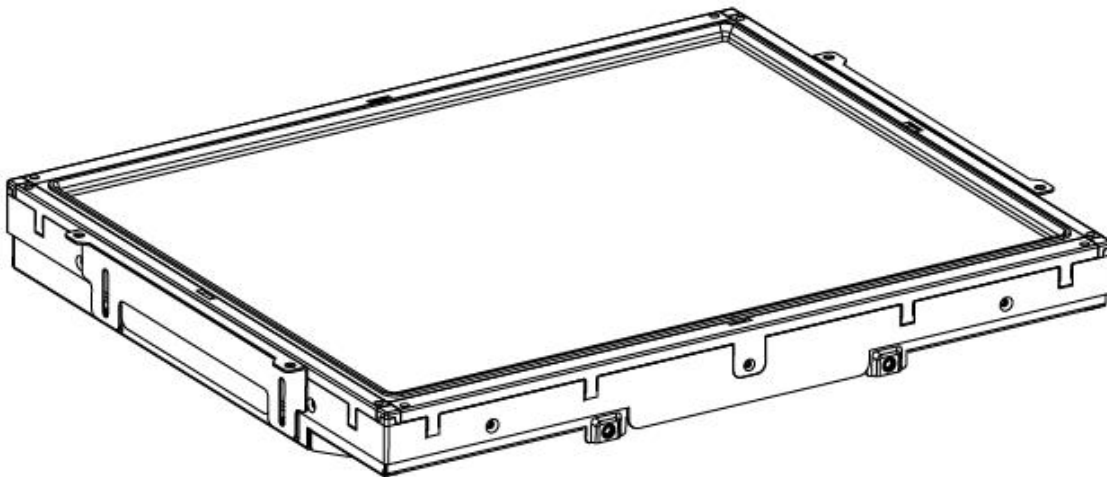
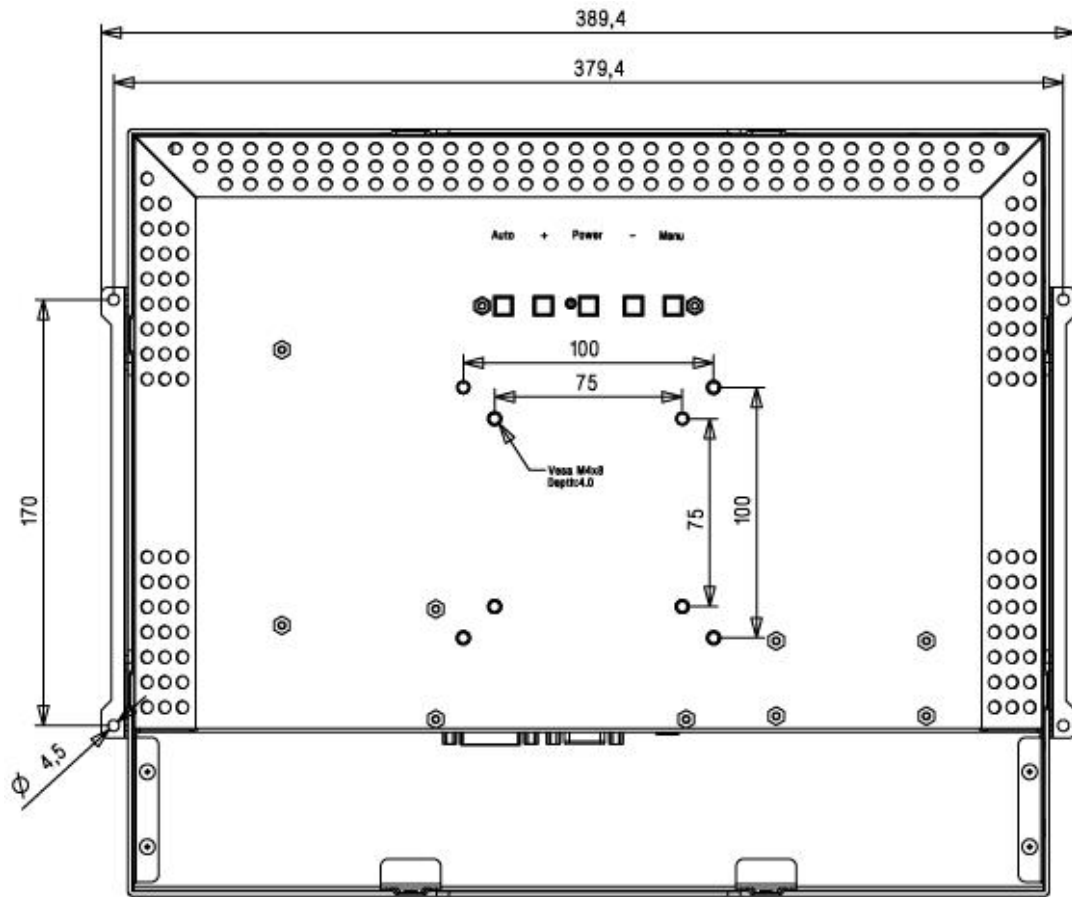
Power Cord with Switching Adapter \*1 Pcs,

Bracket\*2 Pcs



## Mechanical Drawing





**ALL IN ONE TOUCH COMPUTER**  
 For School Education/Meeting



**Skype:pearlhuangpei**




**Floor Standing Advertising Player**

**SAW Touch Screens**



**IR Touch Frames**



**PCAP Touch Screens**



**PCAP Touch Foils**



**Resistive Touch Screens**



**Capacitive Touch Monitors**



**Elo Style Touch Monitors**



**Desktop Touch Monitors**

