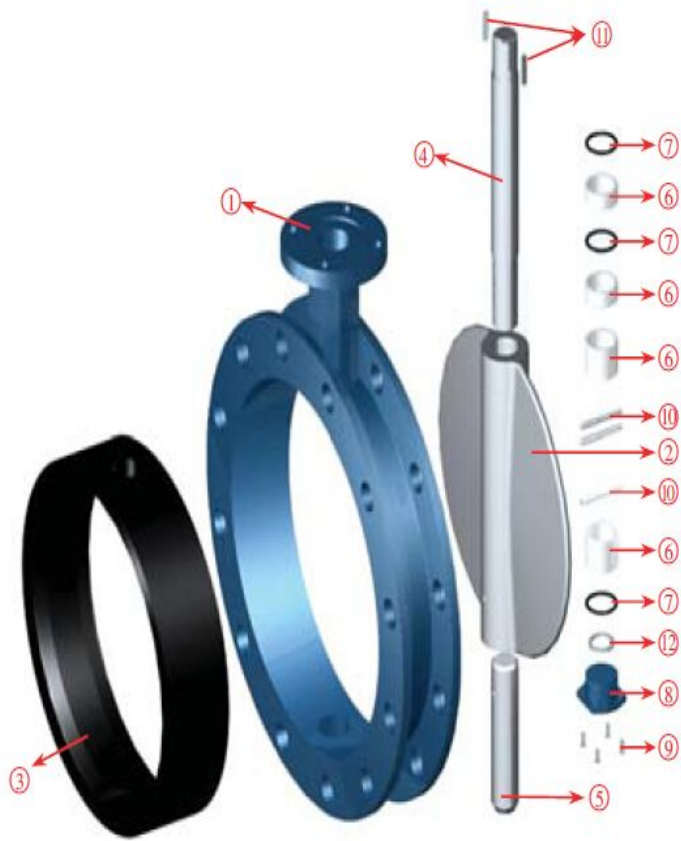
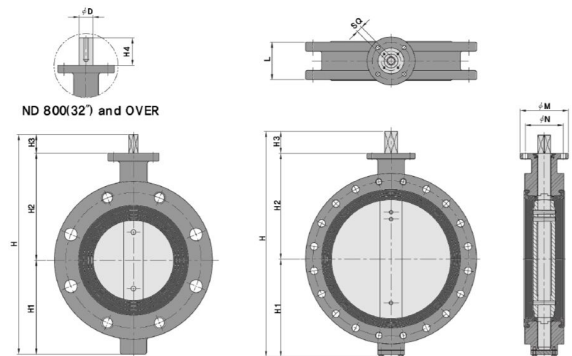


## U TYPE FLANGE BUTTERFLY VALVE



NO.	Description	Material
1	BODY	GG25,GGG40,GGG50
2	DISC	GGG40,CF8,CF8M,CF3M,AL-B
3	SEAT	EPDM.NBR.VITON.PTFE
4	Upper Shaft	SS416.....
5	Lower Shaft	SS416.....
6	Bearing	PTFE
7	O-RING	NBR
8	Bottom Cover	CAST IRON
9	Bolt	SS
10	Pin	SS
11	Key	SS
12	Bearing	PTFE

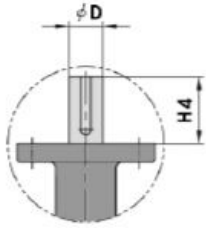


### VALVE DIMENSIONS

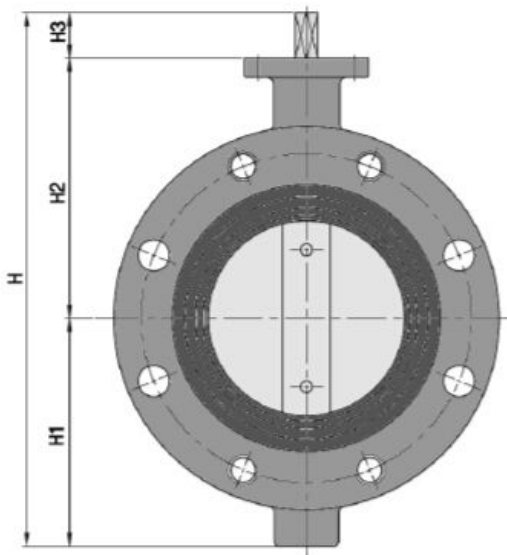
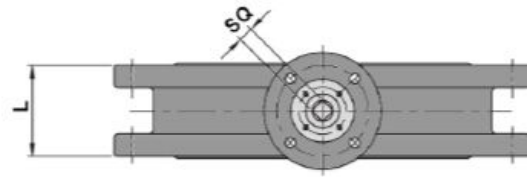
unit : mm

SIZE		L	H	H1	H2	H4	STEM			TOP FLANGE			WEIGHT (APPROX.) (kg)		
inch	mm						ØD	KEY SIZE	SQUARE		TYPE	ØN		ØM	N-Ø
				SQ	H3										
2"	50	40	249	88	128	-	-	-	9	33	F07	70	90	4-9	6
2.5"	65	40	271	98	140	-	-	-	9	33	F07	70	90	4-9	7
3"	80	60	288	105	150	-	-	-	9	33	F07	70	90	4-9	9
4"	100	60	318	120	165	-	-	-	12	33	F07	70	90	4-9	12
5"	125	100	351	140	178	-	-	-	12	33	F07	70	90	4-9	17
6"	150	100	388	165	190	-	-	-	12	33	F07	70	90	4-9	22
8"	200	100	470	190	230	-	-	-	17	50	F10	102	125	4-12	34
10"	250	110	535	215	270	-	-	-	17	50	F10	102	125	4-12	50
12"	300	110	611	251	310	-	-	-	22	50	F10	102	125	4-12	73
14"	350	120	655	270	335	-	-	-	27	50	F10	102	125	4-12	99
16"	400	130	755	325	370	-	-	-	27	60	F14	140	175	4-18	113
18"	450	150	797	347	390	-	-	-	27	60	F14	140	175	4-18	148
20"	500	160	883	383	420	-	-	-	36	80	F16	165	210	4-22	165
22"	550	170	967	425	462	-	-	-	36	80	F16	165	210	4-22	234
24"	600	170	1028	453	495	-	-	-	50	80	F16	165	210	4-22	270
26"	650	170	1095	490	525	-	-	-	50	80	F16	165	210	4-22	309
28"	700	180	1150	515	555	-	-	-	50	80	F16	165	210	4-22	350
30"	750	190	1230	550	590	-	-	-	50	90	F16	165	210	4-22	395
32"	800	200	1352	592	640	120	80	22 × 14	-	-	F25	254	300	8-18	485
34"	850	210	1382	612	650	120	80	22 × 14	-	-	F25	254	300	8-18	540
36"	900	230	1488	658	700	130	80	22 × 14	-	-	F25	254	300	8-18	660

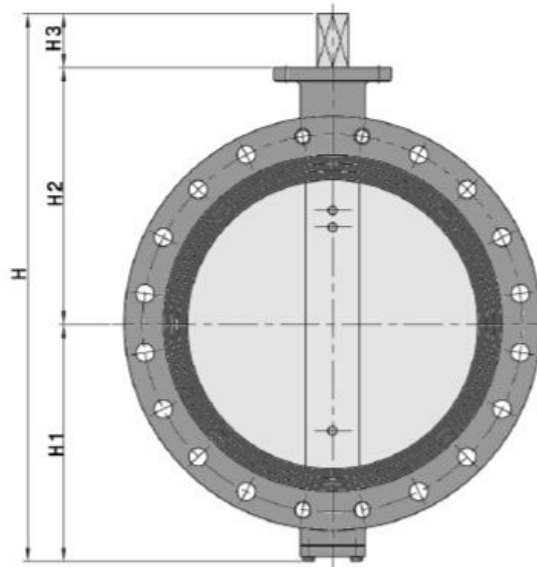
## U TYPE FLANGE BUTTERFLY VALVE



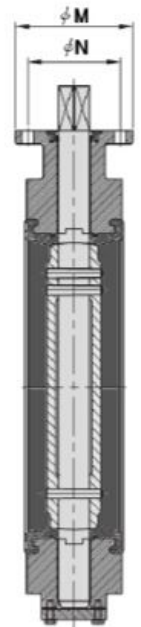
ND 800(32") and OVER



ND 80(3") ~ 350(14")



ND 400(16") and OVER



### VALVE DIMENSIONS

unit : mm

SIZE		L	H	H1	H2	H4	STEM				TOP FLANGE			WEIGHT (APPROX.) (kg)	
inch	mm						ØD	KEY SIZE	SQUARE		TYPE	ØN	ØM		N-ØZ
		SQ	H3												
40"	1000	250	1645	725	770	150	95	25 × 14	—	—	F30	298	350	8-23	780
44"	1100	280	1740	760	830	150	95	25 × 14	—	—	F30	298	350	8-23	890
48"	1200	300	1880	840	890	150	95	25 × 14	—	—	F30	298	350	8-23	950
52"	1300	300	2048	938	950	160	115	32 × 18	—	—	F30	298	350	8-23	1050
56"	1400	330	2129	949	1000	180	130	32 × 18	—	—	F35	356	415	8-33	1550
60"	1500	330	2259	1024	1055	180	140	36 × 20	—	—	F35	356	415	8-33	1410
64"	1600	360	2450	1120	1150	180	140	36 × 20	—	—	F35	356	415	8-33	1580
72"	1800	360	2701	1221	1270	210	160	40 × 22	—	—	F35	356	415	8-33	2110