

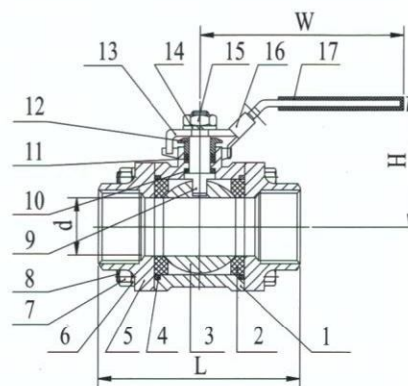
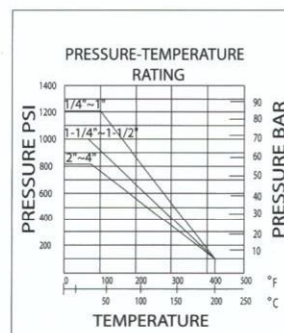
3-PC BALL VALVE, FULL BORE, 1000WOG, DIN SIZE: 1/4"-4"

- Investment Castings For Body And Cap
- Internal Entry Blow-Out Proof Stem
- Length: DIN 3203-M3
- Pressure Rating: 1000PSI (PN63)
- Threaded Ends: ANSI B2.1, BS 21, DIN 259/2999
- Material: CF8M, CF8, CF3M, WCB
- Pressure Test : API 598



MATERIAL LIST

ITEM	PART	MATERIAL	QTY
1	BODY	CF8M	1
2	BALL SEAT	R-PTFE	2
3	BALL	SS316	1
4	BODY GASKET	PTFE	2
5	CAP	CF8M	2
6	SPRING WASHER	SS304	4(12)
7	NUT	SS304	4(12)
8	BOLT	SS304	4(6)
9	STEM	SS316	1
10	THRUSTWASHER	PTFE	1
11	STEM PACKING	PTFE	1
12	GLAND NUT	SS304	1
13	HANDLE	SS304	1
14	SPRING WASHER	SS304	1
15	NUT	SS304	1
16	LOCK DEVICE	SS304	1
17	HANDLE COVER	PLASTIC	1



DIMENSION TABLE

SIZE	d	L	H	W	N.M	KGS
1/4"	11	50	51	105	5	0.29
3/8"	12.5	60	51	105	5	0.29
1/2"	15	75	53	118	6	0.43
3/4"	20	80	60	118	10	0.61
1"	25	90	75	150	12	0.80
1-1/4"	32	110	80	150	17	1.43
1-1/2"	40	120	88	182	30	1.73
2"	50	140	95	182	48	2.72
2-1/2"	65	185	121	254	58	5.44
3"	80	205	135	254	96	7.64
4"	100	240	158	285	124	15.78