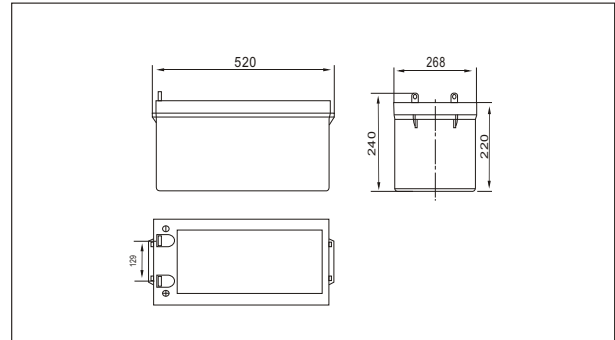




SW122500E(12V250AH)



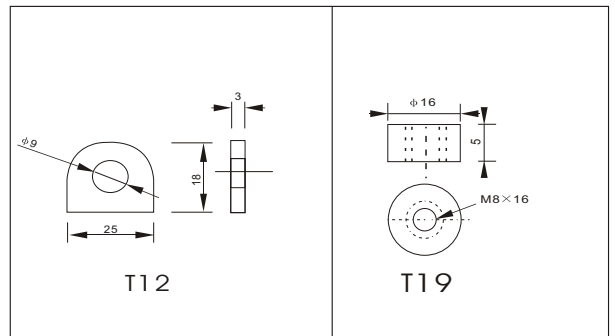
Outer dimensions (mm)



Specifications

Nominal Voltage	12V	
Rated capacity (10 hour rate)	250 Ah	
Dimensions	Total Height	240 mm (9.451 inches)
	Height	220 mm (8.66 inches)
	Length	520 mm (20.5 inches)
	Width	268 mm (10.6 inches)
Weight Approx	76 Kg (168 lbs)	

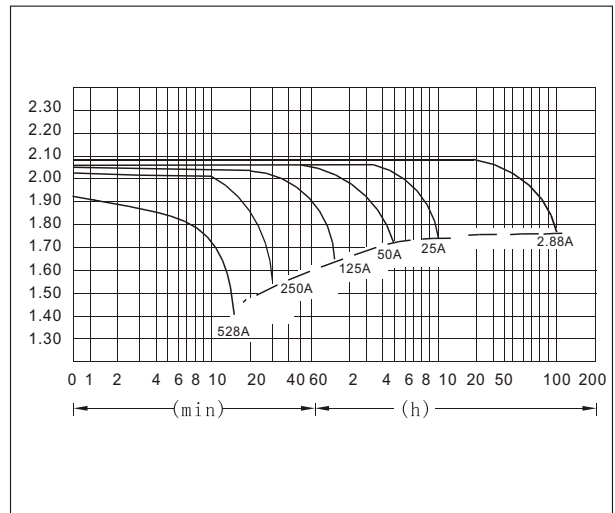
Terminal Type (mm)



Characteristics

Capacity 25°C(77°F)	10 hour rate(25.0 A)	250 AH
	5 hour rate(40.0 A)	200AH
Internal Resistance	1 hour rate(138 A)	138 AH
	1.5 hour discharge to 1.75 V	100 A
Capacity affected by Temperature (10hour rate)	Full charged Battery at 25°C(77°F)	3.5 mΩ
	40°C(104°F)	102%
	25°C(77°F)	100%
	0°C(32°F)	85%
Self-Discharge at 25°C(77°F)	-15°C(5°F)	65%
	Capacity after 3 month storage	91%
	Capacity after 6 month storage	82%
Terminal	Capacity after 12 month storage	64%
	T12.T19	
Charge (constant Voltage)	Cycle	Initial Charging Current less than 62.5 A Voltage 14.10-14.40V
	Float	Voltage 13.50-13.80V

Discharge Curves 25°C(77°F)



Constant Current(Amp) and Constant Power(Watt) Discharge Table at 25°C(77°F)

Time		10min	30min	1h	3h	4h	5h	8h	10h	20h	50h	100h
9.60V	A	528	285	150	64.3	50.0	41.3	29.1	26.3	14.18	5.90	3.03
	W	5858	3053	1737	744	579	478	337	304	164.1	70.3	36.0
10.20V	A	513	278	141.0	62.5	48.8	40.5	28.5	25.6	13.83	5.70	2.95
	W	5634	3025	1633	724	565	469	329	296	160.1	67.8	35.0
10.50V	A	490	264	137	61.0	48.0	40.0	28.3	25.0	13.65	5.60	2.88
	W	5460	2855	1581	706	556	463	327	293	158.1	66.8	34.3
10.80V	A	458	255	132	59.5	47.3	39.0	27.5	24.4	13.50	5.50	2.85
	W	5248	2747	1511	693	544	454	320	291	157.1	65.5	34.0
11.10V	A	420	235	124	57.5	45.8	38.0	26.8	23.75	12.83	5.40	2.75
	W	5158	2725	1472	684	542	452	318	283	152.6	64.3	32.8