

ZCM Brass & ZCM-C Cast Iron Series 2/2Way Diaphragm Gas Solenoid Valve (NC/NO)

Features

1. Used for Gas, Normally Closed/Open (NC/NO)
2. Zero leakage
3. Direct acting structure, zero pressure differential operated
4. Max. action frequency: 3 times/s
5. Max. pressure tolerance: 16kgf/cm²
6. Ambient temp.: -15~75°C
7. Seals: I--NBR (code: N), II--VITON (code: V)
8. Max. kinematic viscosity value: ≤25CSt (mm²/s)
9. Mounted at any angle, keep coil vertical upright & installed horizontally may extend life span
10. Accessory adopted with special material, can stand the corrosion of gas for a long time, stable function
11. Valve Body material: normal--Forged Brass (code: T), or Cast Iron (code: C); SS304 (code: B)
12. Voltage: AC220/AC230/AC240V 50/60Hz, DC24, tolerance ±10%, customization accepted



ZCM-25 I 02-D



ZCM-20 II 24-&



BZCM-15 I 02

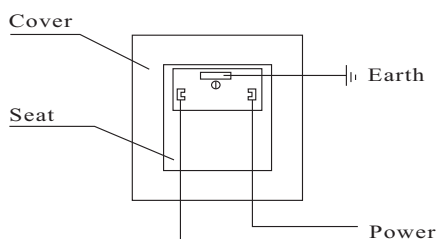
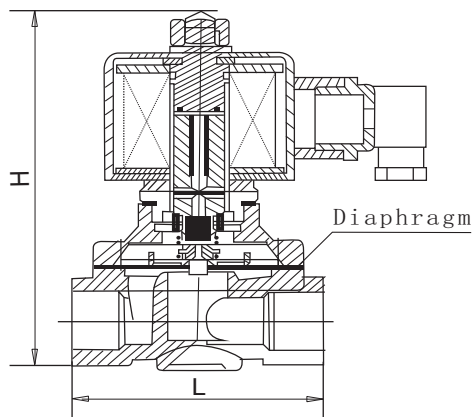


BZCM-25B I 24

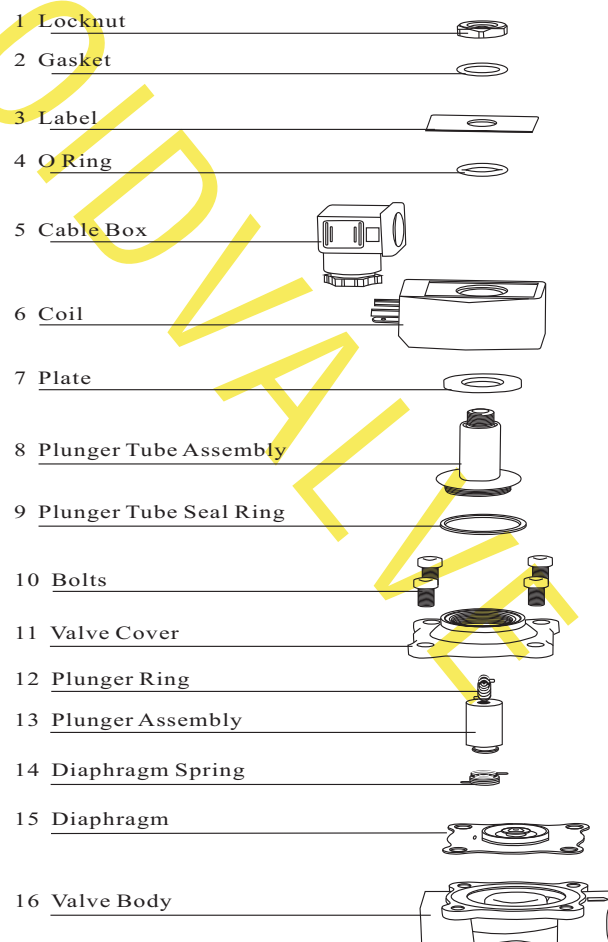


ZCM-100CF I 02

Component Diagram

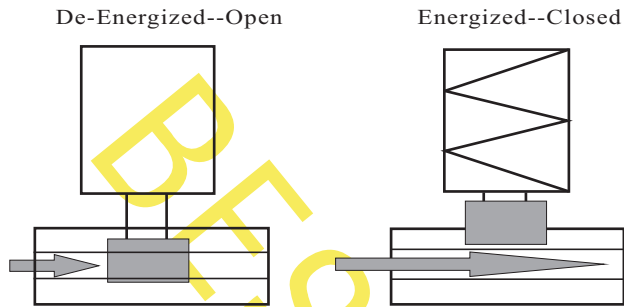


Wiring Diagram

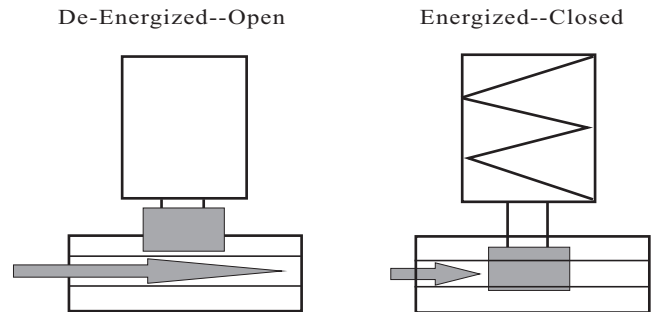


ZCM Brass & ZCM-C Cast Iron Series 2/2 Way Diaphragm Gas Solenoid Valve (NC/NO)

Action Diagram--Normally Closed



Action Diagram--Normally Open



Parameter & Dimension

Model Code	Pipe Connection	Orifice mm	Kv Value m ³ /h	Operating Pressure Differential (kgf/cm ²)						Applicable Medium Temp. °C	Coil Grade	Coil Configuration	Power		Dimension L×W×H	WT (kg)	
				Min.	Max.								VA 220	W 24			
					Gas		Water Liquids		Vapor								
					AC	DC	AC	DC	AC						DC		
ZCM-2.5	G1/8"	2.5	0.20	0	10	10	10	10	7	7	I: -9~80	Class F*	J	14	9	40×40×70	0.4
ZCM-03	G1/4"	3.0	0.26	0	10	10	10	10	7	7			J	14	9	40×40×70	0.4
ZCM-04	G3/8"	4.0	0.52	0	10	10	10	10	7	7	I: -9~80	Class F*	Normal Y	35	33	52×32×80	0.6
ZCM-06	G3/8"	6.0	0.77	0	10	10	10	10	7	7				35	33	52×32×80	0.6
ZCM-10	G3/8"	10	2.0	0	10	10	10	10	7	7	II: -9~120	Normal IP65	Normal Y	35	33	68×57×105	1
ZCM-15	G1/2"	15	4.1	0	10	10	10	10	7	7				35	33	68×57×110	1
ZCM-20	G3/4"	20	6.5	0	10	10	10	10	7	7	II: -9~120	Normal IP65	Normal Y	35	33	72×57×120	1.1
ZCM-25	G1"	25	10	0	10	10	10	10	7	7				35	33	100×78×128	1.4
ZCM-32	G1 1/4"	32	21	0	10	10	10	10	7	7	II: -9~120	Normal IP65	Normal Y	70	41	112×87×165	2.5
ZCM-40	G1 1/2"	40	25	0	10	10	10	10	7	7				70	41	123×94×170	2.9
ZCM-50	G2"	50	41	0	10	10	10	10	7	7	II: -9~120	Normal IP65	Normal Y	70	41	170×122×202	5.2
ZCM-40CF	Universal Flange (JB/T 79-94)	40	25	0	2.5	2.5	2.5	2.5	2	2				I: -9~80	Class H*	Normal W	60
ZCM-50CF		50	41	0	2.5	2.5	2.5	2.5	2	2	60	50	200×160×240				11
ZCM-65CF		65	47	0	2.5	2.5	2.5	2.5	2	2	60	50	250×185×260				17
ZCM-80CF		80	72	0	2.5	2.5	2.5	2.5	2	2	60	50	270×200×275				28
ZCM-100CF		100	154	0	2.5	2.5	2.5	2.5	2	2	60	50	350×220×310				38
ZCM-125CF		125	190	0	2.5	2.5	2.5	2.5	2	2	60	50	400×250×380				68
ZCM-150CF		150	261	0	2.5	2.5	2.5	2.5	2	2	60	50	450×285×405				82

Note: F* stands for Insulation Class F; H* stands for Insulation Class H

Special Configuration

ZCM-B: SS304 Valve body, parameter shown as above, dimension same as Z101-B, details on page 12	ZCM2: Normally Open
BZCM: Ex version Coil (DN2.5~25 ExmIIT4; DN32~150 ExdIIT4)	ZCM-&: Energy-saving stove exclusive products, manual control open/close and fire adjustment
BZCM2: Normally Open, Explosion-proof (DN2.5 EXmIIT4, DN32~150 EXdIIT4)	Gas Solenoid Valve more details on page 67-68