

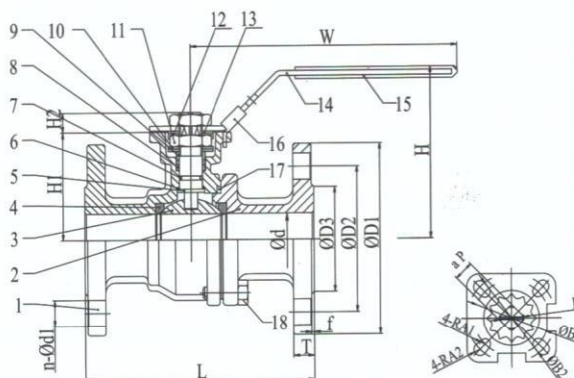
2-PC FLANGE BALL VALVE, FULL BORE, ANSI150, WITH ISO 5211, SIZE:1/2"-4"



- Investment Castings For Body And Cap
- Flange Ends: ASME B16.5
- Face To Face: ANSI 16.10
- Pressure Rating: ANSI CLASS 150
- Material: CF8M,CF8,CF3M,WCB
- Mounting Pad : ISO 5211
- Pressure Test : API 598

MATERIAL LIST

ITEM	PART	MATERIAL	QTY
1	BODY	CF8M	1
2	CAP	CF8M	1
3	BALL	316	1
4	BALL SEAT	PTFE	2
5	STEM	SS316	1
6	THRUST WASHER	PTFE	1
7	O-RING	VITON	1
8	STEM PACKING	PTFE	2
9	GLANG	304	1
10	WASHER	301	2
11	NUT	304	2
12	WASHER	304	1
13	STOP PIN	304	1
14	HANDLE	304	1
15	HANDLE COVER	PLASTIC	1
16	LOCJG	304	1
17	BODY GASKET	PTFE	1
18	BOLT	304	(4)(6)(8)



DIMENSION TABLE

SIZE	d	L	T	f	D1	D2	D3	n-d1	H1	H	W	aP	ISO5211	N.M	KGS
1/2"	15	108	10	1.6	89	61	35	4-16	48	80	140	9	F03/F04	6	1.54
3/4"	20	117	11	1.6	99	70	43	4-16	53	85	140	9	F03/F04	10	1.99
1"	25	127	11	1.6	108	79	51	4-16	59	95	160	11	F04/F05	12	2.82
1-1/4"	32	140	13	1.6	117	89	64	4-16	71	108	160	11	F04/F05	17	3.89
1-1/2"	38	165	15	2	125	98	73	4-16	76	114	185	14	F05/F07	30	5.05
2"	50	178	16	2	150	121	92	4-19	85	124	185	14	F05/F07	48	7.15
2-1/2"	65	190	18	2	180	140	105	4-19	102	148	230	17	F07/F10	58	13.91
3"	76	203	20	2	190	152	127	4-19	112	158	230	17	F07/F10	96	15.90
4"	94	229	24	2	230	191	157	4-19	141	191	230	17	F07/F10	124	26.40

E-MAIL: nancygao@public.qd.sd.cn
nancygao@bdchina.com

TEL: 0086/532/66753307 OR 013953280182
 FAX: 0086/532/66753309 OR 85791651