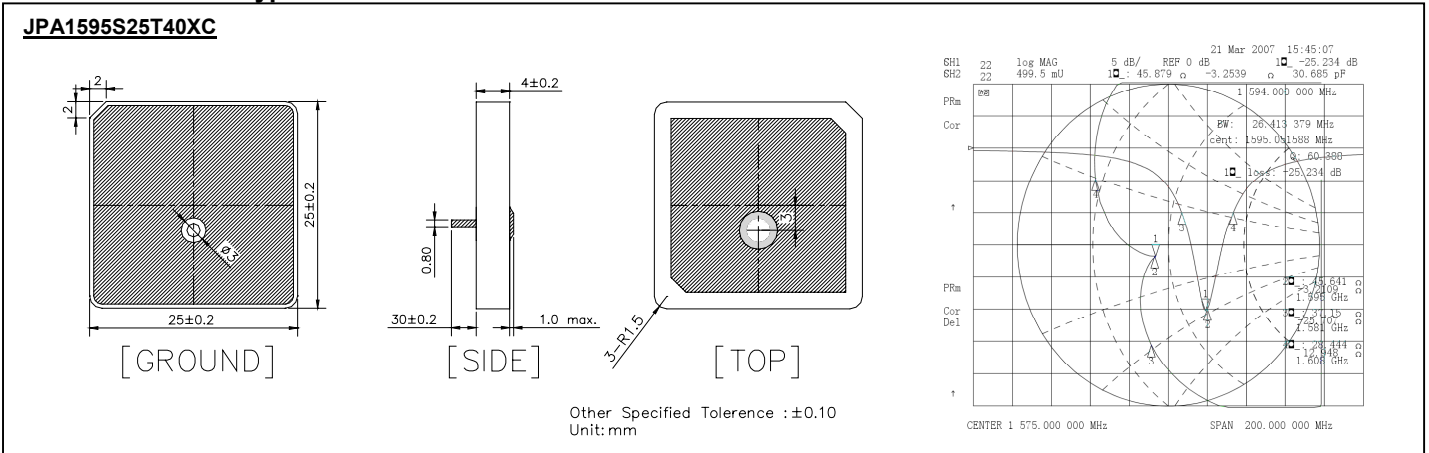




## Dielectric Patch Antenna

### ● Dimension and Typical Characteristics



### ● Electrical Characteristics

Part Number	Dimension (mm)	Center Frequency (MHz)	Bandwidth (MHz)	Return Loss (dB)	Gain (dBi)	Ground Plane (mm)	Application
JPA1615S12T40XA	12 x 12	1579	5	15	0.0	50 x 50	GPS
JPA1587S13T25XA	13 x 13	1587	5	15	0.0	50 x 50	
JPA1580S13T40XA	13 x 13	1580	5	15	0.0	50 x 50	
JPA1595S15T20XA	15 x 15	1595	5	15	1.0	50 x 50	
JPA1597S15T40XA	15 x 15	1597	8	15	1.0	50 x 50	
JPA1595S17T40ZA	17 x 17	1595	10	15	2.5	70 x 70	
JPA1588S18T20XB	18 x 18	1588	10	15	2.5	50 x 50	
JPA1601S18T40XA	18 x 18	1601	10	15	2.5	50 x 50	
JPA1575S20T30XA	20 x 20	1575	5	15	2.0	22 x 22	
JPA1590S20T40XA	20 x 20	1590	10	15	3.0	60 x 60	
JPA1580S25T20XA	25 x 25	1580	10	15	2.5	70 x 70	
JPA1579S25T30ZA	25 x 25	1579	5	15	3.0	27 x 30	
JPA1580S25T40XA	25 x 25	1580	20	15	4.5	70 x 70	
JPA1580S25T40ZA	25 x 25	1580	20	15	4.5	70 x 70	
JPA1595S25T40XC	25 x 25	1595	20	15	4.5	70 x 70	
JPA1596S35T30XA	35 x 35	1596	20	15	4.5	50 x 50	
JPA1268S35T80XA	35 x 35	1268	5	15	4.0	35 x 35	
JPA1575S1606T40XA	16 x 6	1575	5	15	1.0	16 x 6	
JPA1575S2006T40XA	20 x 6	1575	5	15	1.0	20 x 6	
JCA2450S8010A	8 x 1	2450	200	15	1.0	35 x 50	Bluetooth
JCA2450S9330A	9.3 x 3.0	2450	50	15	1.0	60 x 70	
JPA1616S25T40XA	25 x 25	1616	20	15	4.5	70 x 70	Compass (China GPS)
JPA2492S25T40XA	25 x 25	2492	40	15	4.5	70 x 70	
JPA2375S18T40XA	18 x 18	2375	30	15	2.5	70 x 70	DMB
JPA3275S25T20XA	25 x 25	2375	40	15	2.5	50 x 50	
JPA2450D16T60EA	∅ 16	2450	50	15	2.15	50 x 76	W-LAN

- For other frequencies or specifications, please consult with our sales representatives for details.