



阿祥集团

XINXIANG ALUMINUM

新祥铝业

XINXIANG
ALUMINUM

浙江新祥铝业股份有限公司
ZHEJIANG XINXIANG ALUMINUM CO.,LTD.

企业概况

Company Profile

Zhejiang XinXiang Aluminum Co.,Ltd is one of the main branch company of Zhejiang ZhenXing AXiang Group Co., Ltd. It is a professional aluminum manufacturer settled in Anji AXiang industrial park where the famous bamboo village located.

The company equipped all kinds of world class manufacturing equipments and detecting instruments such as regenerative smelting furnace and full heat rejection casting system. This also includes 18 extrusion production lines, one of which contained 2600MN large-scaled extruding machine. The company has integrated many first class surface processing technologies such as mechanical polishing, chemical polishing, anodal oxidation, electrolytic coloring, electrode position coating, powder spraying coating and grain transferring, which has provided with capability of further products processing and self-

浙江新祥铝业有限公司是浙江振兴阿祥集团旗下的一家全资子公司，公司是一家专业铝业系统开发制造商，公司地处美丽富饶的“中国竹乡”浙江安吉。公司拥有目前处于国内外先进水平的各类生产设备及检测仪器。如蓄热式再生节能熔炼炉及全密排热顶铸造系统，包括2600MN大型挤压机在内的18条挤压生产线，集机械抛光、化学抛光、阳极氧化、电解着色、电泳涂漆、粉末喷涂、木纹转印等诸多国内先进水平的表面处理系统于一体，具有产品深加工及自行开发设计各类铝业系统的能力。

designing of aluminum systems.

Company gathers a number of management talents who are well skilled with work and management experiences for decades. The company insists in building a people-oriented organization; focus on the employee's education and training, as it is the way to exert employee's creativity and potentiality as well as keep continuous development of the company.

XinXiang Aluminum will offer customized manufacture for each client with its strong financial strength, first- class equipment, leading processing technology, new market concept, scientific management mode, high work enthusiasm and well-organized service system to make the efforts to upgrade XinXiang Aluminum as a well-known brand in aluminum industry.

公司凝聚了一批具有几十年先进管理经验优秀企业管理人才及一大批技熟艺精的业务精英。坚持以人为本，注重人员的教育培训，充分发挥人的创造力和潜能，为公司持续发展和不断创新提供了有力保障。

新祥铝业秉承雄厚的资金实力、一流的生产设备、领先的先进技术、全新的市场理念、科学的管理模式、完美的服务体系，提供真正适应客户需求的优质产品和满意的服务，努力使新祥铝材成为家喻户晓的知名铝材和著名品牌。



专注设备更新

Equipment upgrade



A workman must first sharpen his tools if he needs to do his work well. The company therefore requires its equipments level must be in the front rank of the world as it never be stopped for updating, in this case company has imported the most advanced production equipments and detection devices from United kingdom, Germany, Japan, Spain and other technologically developed counties as to keep the hardware reach the international advanced level.

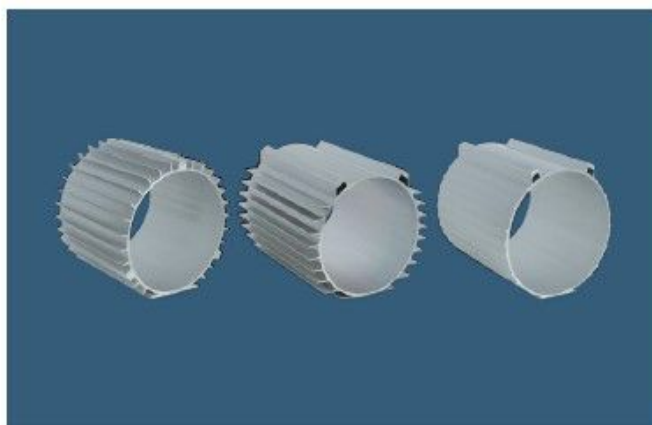
工欲善其事，必先利其器。设备的先进程度，是决定产品品质高低的重要保障。为此，公司在先进设备拥有上，一直处于国际前沿，不断加大设备的改进升级力度与速度，并先后从英国、德国、日本和西班牙引进全球一流的生产检测设备，从硬件上与国际水平保持了同步。



MOTOR PROFILE SERIES 电机类型材

Aluminum motor casings through European technology, process manufacturing, light weight, high strength, thermal conductivity good, high tensile strength, appearance and so on. Hole to reach eight-level precision, and can be installed directly on the stator , Avoiding waste in traditional shell hole aluminum motor turning , saving aluminum 40%, dramatically reducing the cost.

铝合金电机外壳经过欧洲技术、工艺制造，具有重量轻、强度高、散热导热性好、抗拉强度大、外形美观等优点。内孔达到八级精度，可直接安装定子，避免传统铝合金电机外壳内孔车削产生的大量浪费，节省铝材40%，大幅降低了成本。



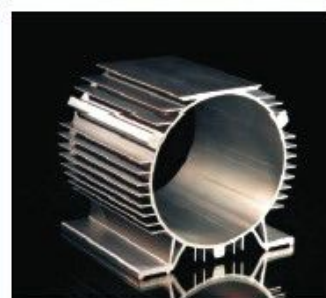
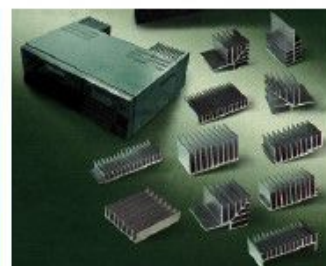
PROVIDE ALUMINIUM PRODUCT

SOLUTIONS FOR DIFFERENT ENTERPRISES

为不同企业提供铝产品解决方案

We also for medical equipment, curtain system, rail transportation and other industries supporting production of aluminum alloy, Your needs is our constant pursuit, according to your products, tailored fit the profile of your company. For the needs of customers, we constantly challenge the difficulty of the extruded aluminium profiles.

我们还为医疗器材、窗帘系统、轨道交通等多个行业配套生产铝合金，您的需要是我们不断的追求，根据贵公司产品，量身定做合适贵公司的型材。为客户的需求，我们不断的挑战铝挤压型材的难度高峰。



专注产品升级

Product upgrade

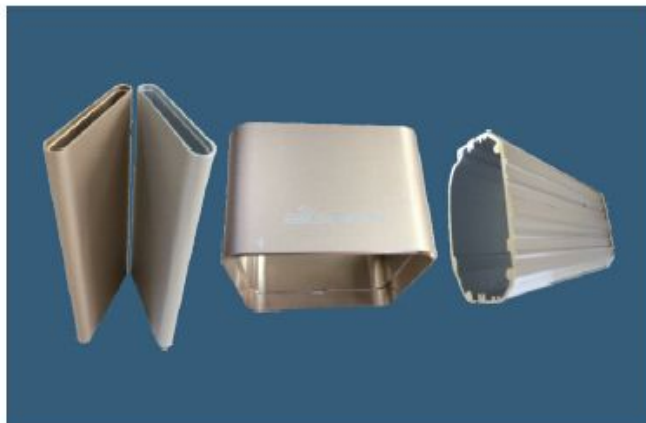
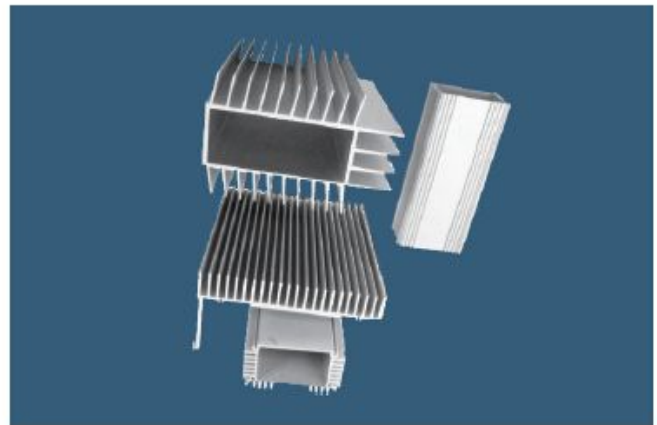
“产品品质是打造品牌的基石”。企业自创立以来，就将其视为企业奉行不悖之圭臬。从原材料的采购、设备要求、生产工艺、人才素质等方面全方位地实施了品质保障，并严格贯彻ISO9001: 2015 认证体系，国际化的生产标准使企业的产品品质迈向新的高度，并获得国家级和省级的多项殊荣。

HEATSINKS

散热品

Electronic products have become indispensable product of the daily life . While, aluminum cooling products as the main force in the electronic industry .We bundle the electronics industry main suppliers, The industry has high requirements for precision and strength of the product .

电子产品目前成为日常生活中不可缺少的产品。同时铝型材作为电子行业中散热产品主力军。我司为众多电子行业的主力供应商，该行业对于产品精度及强度都提出了很高的要求。



CASE SERIES

壳体系列

Anodic oxidation of aluminum metal, more and more recognition, popularity of APPLE products can be demonstrated. Shell in many electronic products are made of other materials to aluminum, Early market, the company with many Business partners to develop products, at the forefront in this area

铝型材阳极氧化后的金属质感，越来越得到人们的认同，APPLE产品的流行就可以证明。很多电子产品的外壳都由其它材料改为铝型材，公司从市场初期就与众多商共同开发产品，在该领域走在前列。

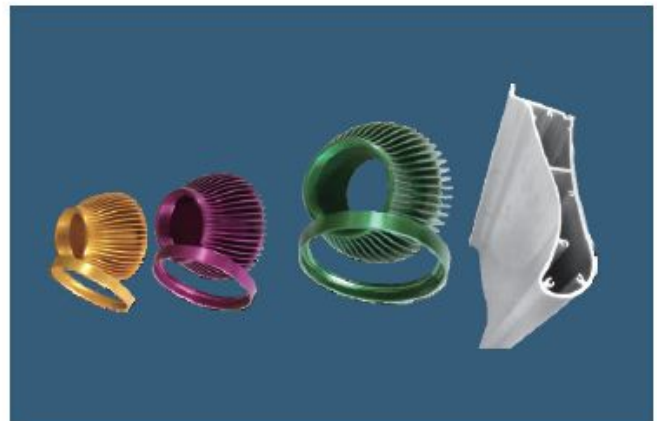
ALUMINIUM EXTRUSIONS OF LED SERIES

LED铝型材系列

LED铝型材系列

LED lighting concept of environmental protection, Products have been recognized by Government, business and consumers. Aluminum extrusions has good heat dissipation, Various surface treatment, Widely used in LED lighting system on structure and appearance.

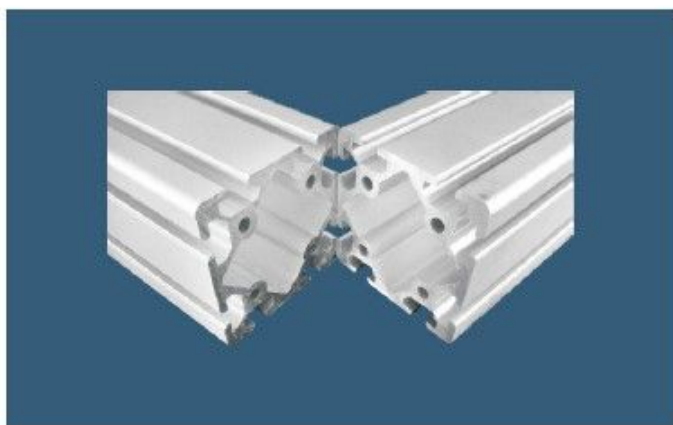
LED照明以绿色、环保为理念的产品受到了政府、企业及消费者的认可。铝型材以其良好的散热性，以及多变的表面处理，在LED照明系统中的结构件及外观件上广泛使用。



专注产品升级

Product upgrade

We conform to "Quality is the foundation stone of the brand" since the date of foundation, make quality assurance of the raw material, equipment, production technology and talents. All our products are strictly produced in accordance with the ISO9001:2015 international quality management system, and gain laurels from the nation and the province.



ALUMINUM EXTRUSION ASSEMBLE LINE OF PROFILES

流水线型材

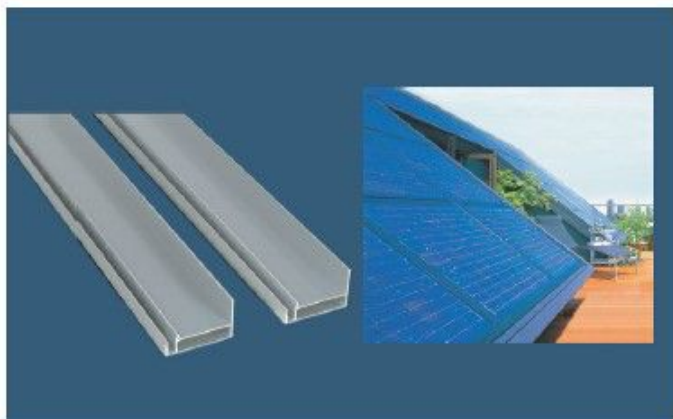
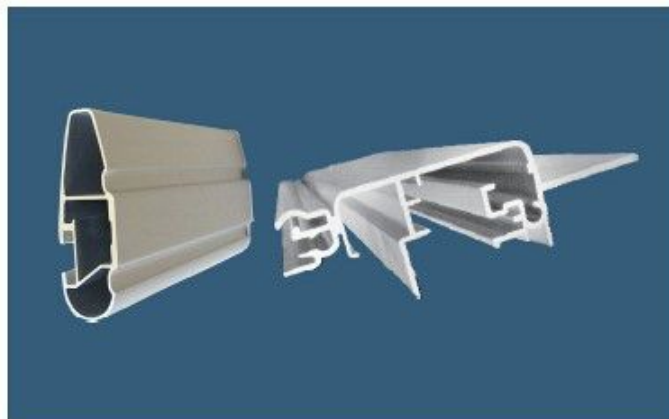
Choose our standard Aluminum extrusion assemble line of profiles and connecting parts will greatly reduce your time of design and Assembly, effective control the cost and progress of the project, Make perfect system and space

选用我公司标准化的流水线型材和连接部件，将大大缩短您的设计和组装时间，有效控制您的成本和工程进度，完美制造您的系统和理想空间。

AUTOMOTIVE ALUMINUM PROFILES SERIES 汽车铝型材系列

Lightweight automobile increasing demand, aluminum profiles used on cars . We developed packing luggage rack, roof rails and other aluminum products, cooperation with Branches of large enterprises, continuous process of Technology. Meanwhile, Research automotive structural parts, such as bumpers, beams and other products.

随着汽车轻量化要求日益提高，汽车上大量采用铝合金型材。我司目前开发了包装行李架，天窗导轨等一系列的铝型材产品，并与分支行业的大型企业合作，工艺上不断的改进。同时目前也在汽车结构件如保险杠、横梁等产品上进行研发工作。



SOLAR ACCESSORIES SERIES

太阳能配件系列

Solar power as a clean energy in recent years by all the attention. We in the industry from the section design of production until the end, as a business solutions. Can produce solar panel frame with high precision, and also provides robust support system to help customers improve production efficiency and reduce production costs of renewable energy.

太阳能做为清洁能源近些年受到大家的关注。我们该行业提供从型材截面设计直至最终成品的生产，量身为企业定制解决方案。可以生产高精度的太阳能边框，同是也提供坚固稳定的支架系统，帮助可再生资源的客户提高生产效率和降低生产成本。