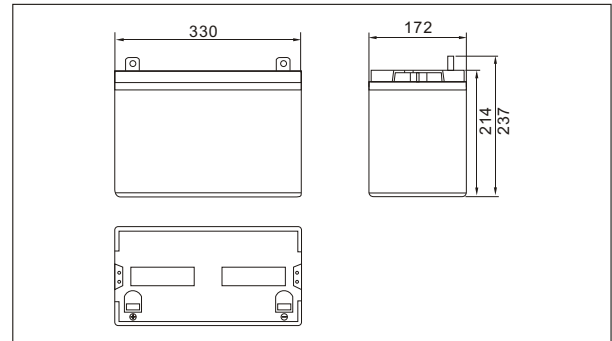




SW121000E(12V100AH)



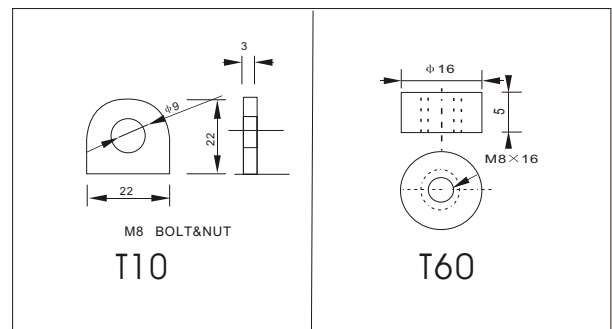
Outer dimensions (mm)



Specifications

Nominal Voltage		12 V
Rated capacity (10hour rate)		100 Ah
Dimensions	Total Height	237 mm (9.33 inches)
	Height	214 mm (8.43 inches)
	Length	330 mm (13.0 inches)
	Width	172 mm (6.77 inches)
Weight Approx		31 Kg (68.2 lbs)

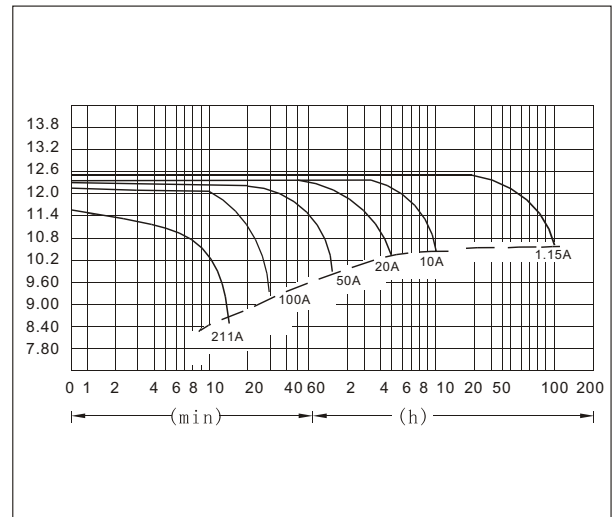
Terminal Type (mm)



Characteristics

Capacity 25°C(77°F)	10 hour rate(10.0A)	100 AH
	5 hour rate(16.0A)	80 AH
	1 hour rate(55.0 A)	55 AH
1.5 hour discharge to 10.50 V		40 A
Internal Resistance	Full charged Battery at 25°C(77°F)	5.5 mΩ
Capacity affected by Temperature (10hour rate)	40°C(104°F)	102%
	25°C(77°F)	100%
	0°C(32°F)	85%
	-15°C(5°F)	65%
Self-Discharge at 25°C(77°F)	Capacity after 3 month storage	91%
	Capacity after 6 month storage	82%
	Capacity after 12 month storage	64%
Terminal		T10、T60
Charge (constant Voltage)	Cycle	Initial Charging Current less than 25 A Voltage 14.10-14.40V
	Float	Voltage 13.50-13.80V

Discharge Curves 25°C(77°F)



Constant Current(Amp) and Constant Power(Watt) Discharge Table at 25°C(77°F)

Time		10min	30min	1h	3h	4h	5h	8h	10h	20h	50h	100h
9.60V	A	211	114	60	25.7	20.0	16.5	11.6	10.5	5.67	2.36	1.21
	W	2343	1221	695	298	232	191	135	122	65.7	28.1	14.4
10.20V	A	205	111	56.4	25.0	19.5	16.2	11.4	10.2	5.53	2.28	1.18
	W	2254	1210	653	290	226	188	132	119	64.0	27.1	14.0
10.50V	A	196	106	55	24.4	19.2	16.0	11.3	10.0	5.46	2.24	1.15
	W	2184	1142	632	283	222	185	131	117	63.2	26.7	13.7
10.80V	A	183	102	53	23.8	18.9	15.6	11.0	9.8	5.40	2.20	1.14
	W	2099	1099	605	277	218	182	128	116	62.9	26.2	13.6
11.10V	A	168	94	50	23.0	18.3	15.2	10.7	9.50	5.13	2.16	1.10
	W	2063	1090	589	274	217	181	127	113	61.0	25.7	13.1