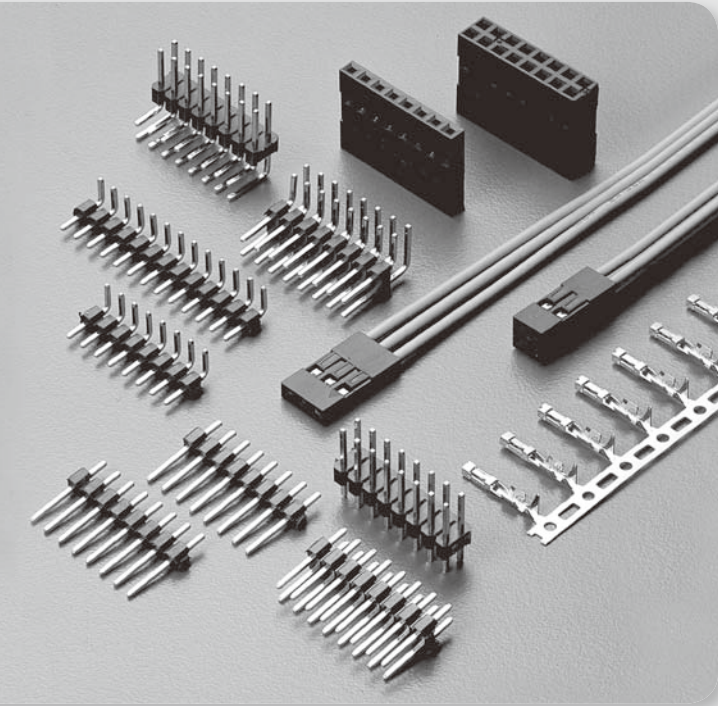


2.54mm (.100") PCB Pin Headers



Specifications

- Voltage Rating : 250V AC/DC
- Current Rating : 3A AC/ DC
- Withstanding Voltage : 1,000V AC/minute
- Insulation Resistance : 1,000M Ω min.
- Temperature Range : -25°C to + 85°C
- Contact Resistance : 20m Ω max.

Features:

- Part No. : JS-1106-xx*2(A/B) (Single Row, 180°)
JS-1107-xx*2(A/B/C) (Single Row, 90°)
JS-1109-xx(A/B) (Single Row, 180°)
JS-1110-xx(A/B/C) (Double Row, 90°)

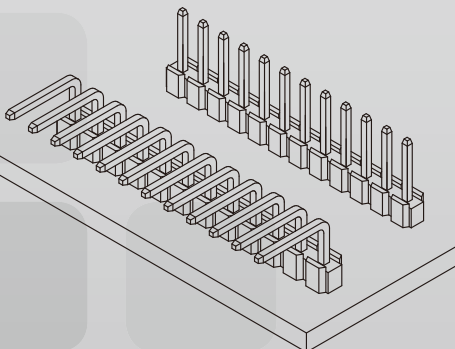
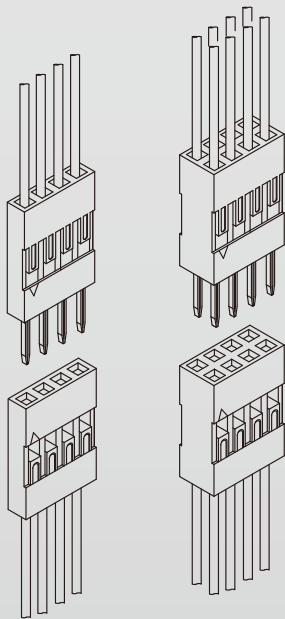
Poles : 1-40 (Single Row)

2x2 - 40x2 (Double Row)

Material : Contact : Brass, Gold Plated

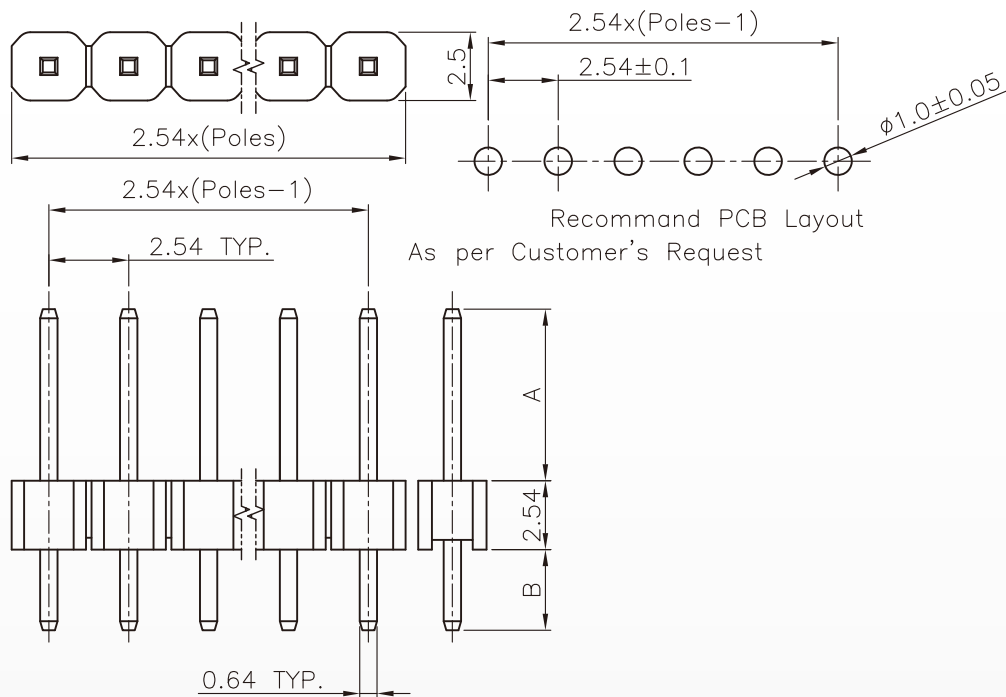
Base : PBT UL94V-0

Q,ty : 1,000 pcs/PVC Bag

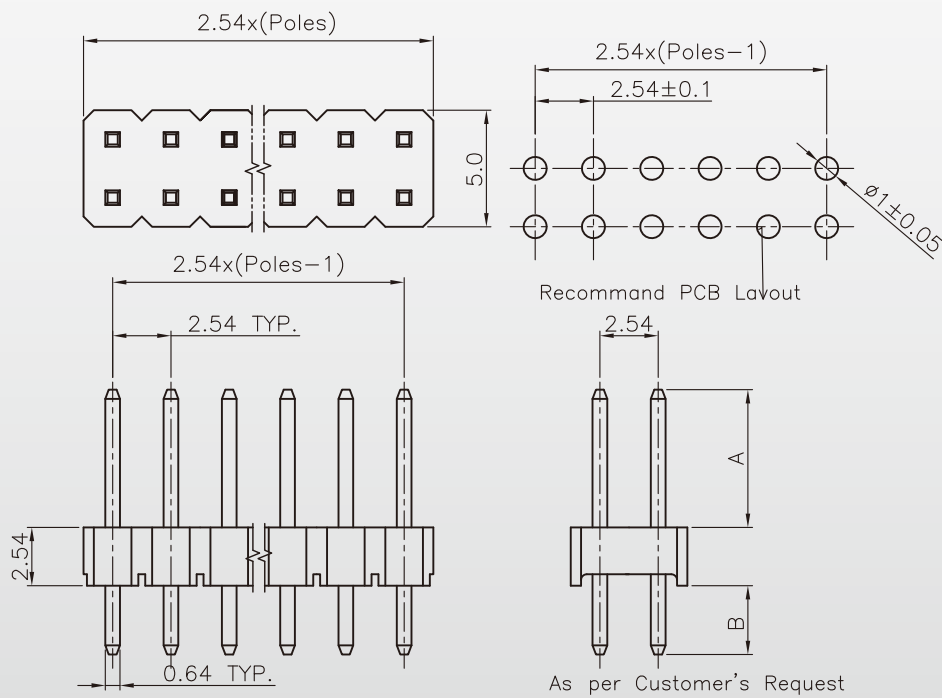


2.54mm (.100") PCB Pin Headers

Straight - Single Row JS-1109-xx(A/B)

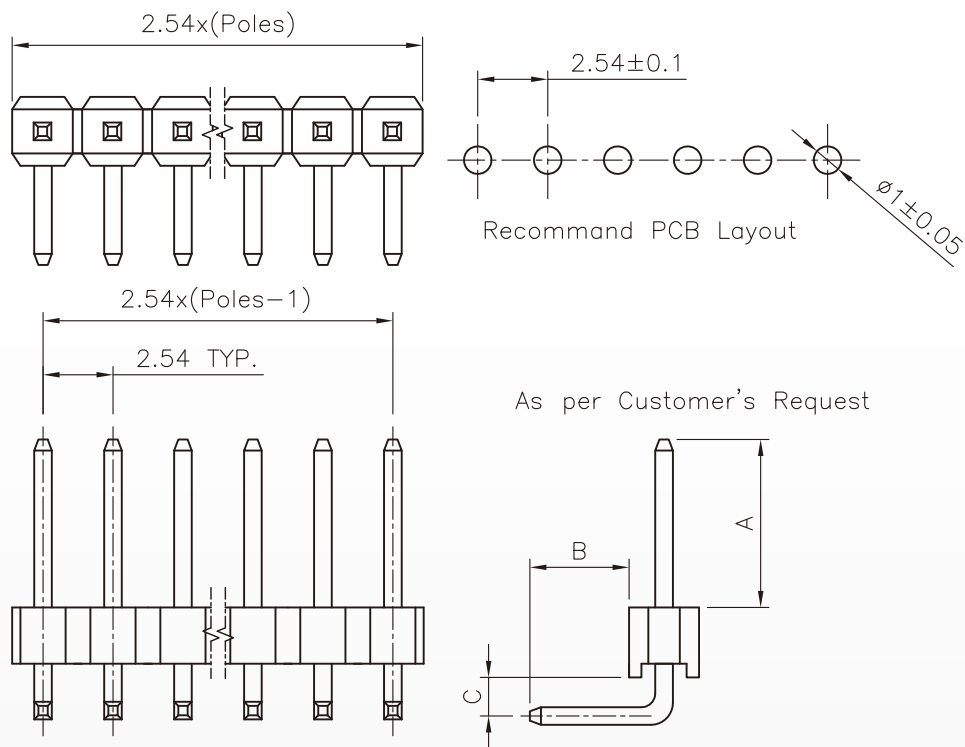


Straight - Double Row JS-1106-xx*2(A/B)



2.54mm (.100") PCB Pin Headers

Right Angle - Single Row JS-1110-xx (A/B/C)



Right Angle - Double Row JS-1107-xx*2 (A/B/C)

