



ZD-FP14B/FP18B

**Adjustable sheet to square bottom paper bag making
machine**

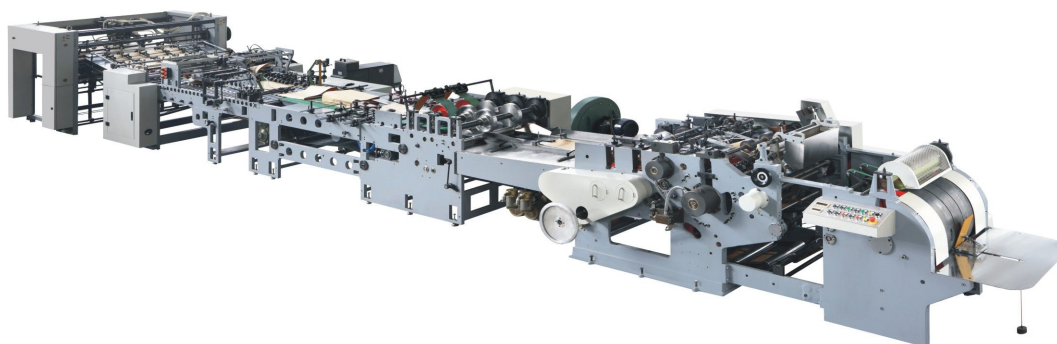
Add: Room 2403 Jincheng Mansion 511 Tianmuxi Road, 200070 P.R.China

TEL: 86-21-63177436

FAX: 86-21-63538343

Email: huangwei@shanghai-upg.com

ZD-FP14B/FP18B Adjustable sheet to square bottom paper bag making machine



1. Quotation:

(FOB China)

ZD-FP14B USD -./unit

ZD-FP18B USD -./unit

2. Terms of Payment:

30% deposit by T/T when confirming the order

70% balance by T/T before shipping.

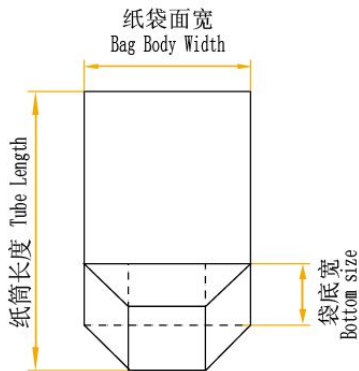
3. Feature:

This machine is designed to manufacture square bottom paper bags from sheet paper in blank or printed, Side gluing, tube forming, bottom impressing, bottom gluing ,bottom forming and final product out feed can be completed within one time by this machine. It is ideal equipment for making paper bag for foodstuff bag, shopping bag and so on. Controlled by PLC system, equipped with in-touch screen and servo motor for bag length control, this machine can produce different sizes paper bag.

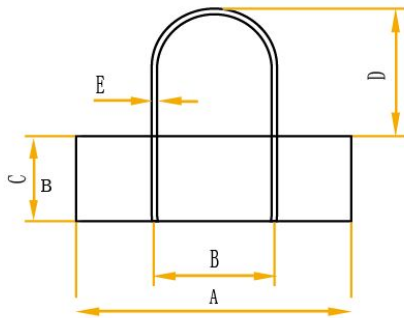
4. Specification

Type	ZD-FP14B	ZD-FP18B
Paper Size Range	580-1030mm	780-1230mm
Tube Length	340-560mm	340-560mm
Bag Body Width	200-350mm	300-450mm
Bottom Size	80-150mm	80-150mm
Paper Thickness	80-140g/m ²	100-160 g/m ²
Max. Mechanical Speed	100 bags/min	100 bags/min
Max. Production Speed	40-60 bags /min	40-60 bags /min
Total Power	13kw	15.5kw
Weight of Machine	About 7000kg	About 8000kg
Overall Dimension(L×W×H)	13000mm×2100mm×1580mm	13000mm×2300mm×1580mm

纸袋示意图 Bag Diagram

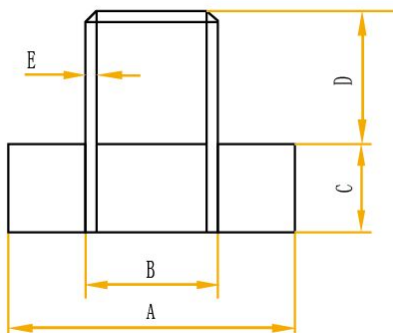


手把示意图
Handle Diagram



A Handle Patch Length	180mm
B Handle Width	100mm
C Patch Width	50mm
D Handle Length	110mm
E Wire Diameter	Φ4-6mm

手把示意图
Handle Diagram



A Handle Patch Length	180mm
B Handle Width	110mm
C Patch Width	50mm
D Handle Length	90mm

E Handle Width after Fold	8-12mm
---------------------------	--------

5. Installation and Training

The price includes the fee of installation, Training and interpreter, However, the relative cost such as international return air tickets between China and Buyer's country, local transportation, accommodation (3 star hotel), and the pocket money USD80/day per person for engineers and interpreter will be born by buyer. Or, the customer can find capable interpreter in local.

6. Validity of Quotation: until 31st Dec. 2013

7. Warranty: 12 months after B/L date

8. Delivery time: Within 40 days after receiving the deposit payment.