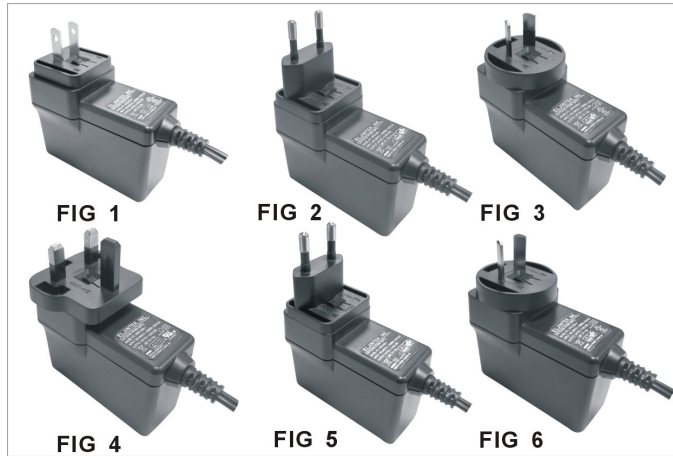


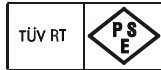
Features:

- Universal input voltage
- Meet ENERGY STAR V
- Single output
- Optional output connectors
- Short circuit protection
- Over voltage protection
- Over current protection
- Low leakage current <0.1mA
- One year limited warranty

SAFETY AGENCY APPROVALS:

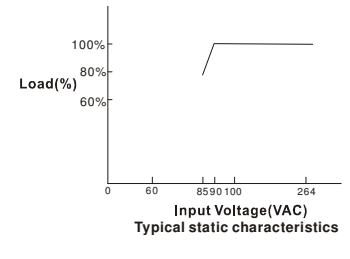
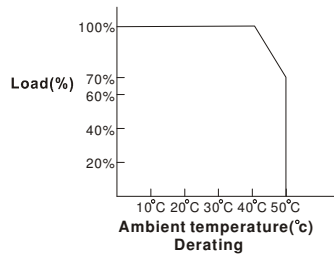
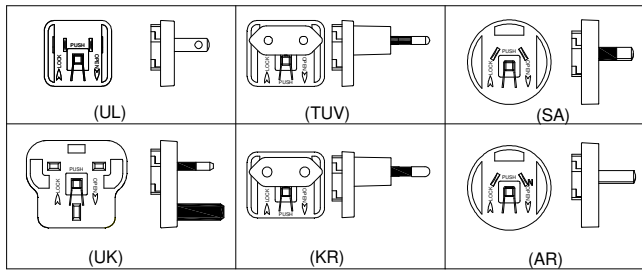
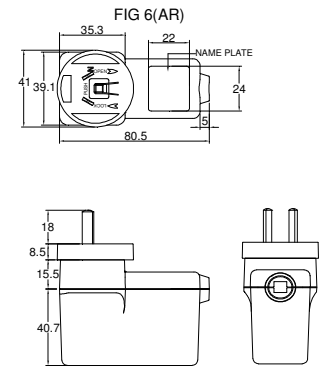
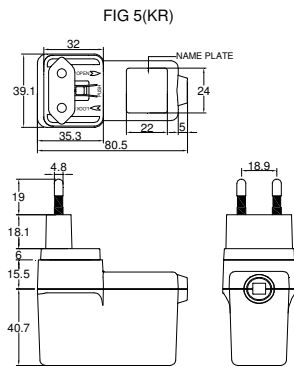
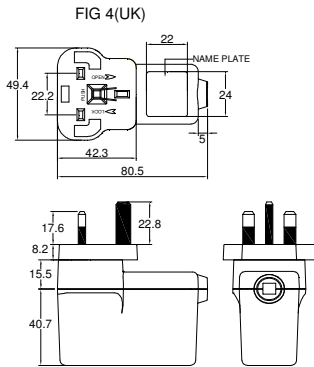
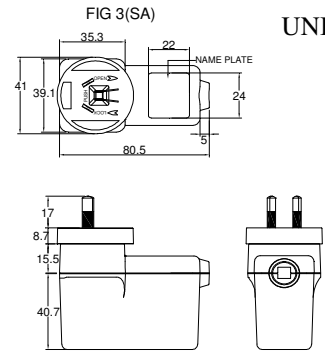
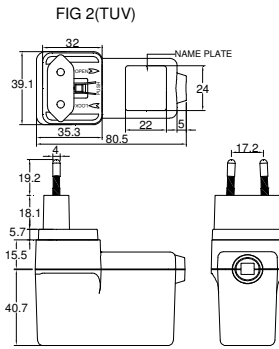
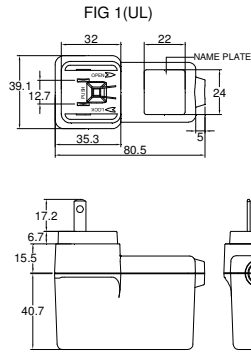


FC CE CB LPS



Specifications:	GPSU18 series:
Input voltage	100~240VAC
Input frequency	47~63Hz
Input current	0.45~0.2A
Leakage current	0.1mA Max. @240VAC/50Hz
Output voltage	See rating chart
Output current	See rating chart
Output power range	See rating chart
Ripple	See rating chart
Over voltage protection	Yes, Protected by Zener diode
Over current protection	Yes. Auto-recovery
Short circuit protection	Yes. Hiccup mode ; Auto-recovery
Temperature coefficient	All output±0.04%/°C maximum
Transient response	Maximum excursion of 4% or better on all models. Recovering to 1% of final value within 500uS after a 25% step load change
Operating temperature	0°C ~+40°C .See derating curve
Storage temperature	-40°C ~+85°C
Relative humidity	5% to 95% non-condensing
Derating	Derated from 100% at + 40°C linearly to 70% at 50°C
Avg. Efficiency	See rating chart
Setup up / Hold up / Rise time	Typical: 3000mS / 16mS / 50mS at full load.
Line regulation	±1% maximum for any input voltage change between input voltage range
Load regulation	Typical±5% variations from minimum to maximum output current. Or see rating chat
Insulation resistance	50Mohm. minimum from input to output
Inrush current	50 AMPS@115 VAC ; 90AMPS @ 230VAC at 25°C cold start
Withstand voltage	4242VDC from input to output
Mean time between failure	100,000 hours minimum at full load at 25°C ambient
EMC	(A)CE:EN55022 / EN55024 Class B (B)FCC Part 15
Safety	Reference Design to (A)ES60601-1 (B)EN60601-1 (C)IEC 60950-1 (D) J60950-1
Warranty	1 year

UNIT:mm



X=UI American type (FIG1) or EI European type (FIG2) or SAI 2pin Australian type (FIG3) or BSI UK type (FIG4) or KRI Korea type (FIG5) or ARI Argentina type (FIG6)

Model name	Output Voltage(VDC)	Output Current(A)	Max. Output Power (W)	Ripple(mV) Max.	Line Regulation (%)	Load Regulation (%)	Avg. EFF (%) 25,50,75,100% load	No load Power Consumption(W)	Measured at the output of
GPSU18X-1	5~6	3.00~2.50	15	80	±1	±5	76.42	<0.3	5
GPSU18X-1-1	6~8	2.50-1.87	15	80	±1	±5	79.20	<0.3	7.5
GPSU18X-2	8~11	2.25-1.64	18.04	100	±1	±5	80.30	<0.3	9
GPSU18X-3	11~13	1.64-1.38	18.04	120	±1	±5	85.10	<0.1	12
GPSU18X-4	13~16	1.38-1.13	18.08	150	±1	±5	85.10	<0.1	15
GPSU18X-5	16~21	1.13-0.86	18.08	150	±1	±5	85.10	<0.1	18
GPSU18X-6	21~27	0.86-0.67	18.09	150	±1	±5	85.10	<0.1	24
GPSU18X-7	27~33	0.67-0.55	18.15	240	±1	±3	85.10	<0.1	28
GPSU18X-8	33~58	0.55-0.32	18.56	240	±1	±3	85.10	<0.1	48

Note:

1. Weight: Approx 130~140g
2. Optional output connectors (see page 87)
3. ENERGY STAR V Standard output cable: 5~13V: 20AWG / UL2468 / 4FT
13~58V: 22WG / UL2468 / 6FT

