

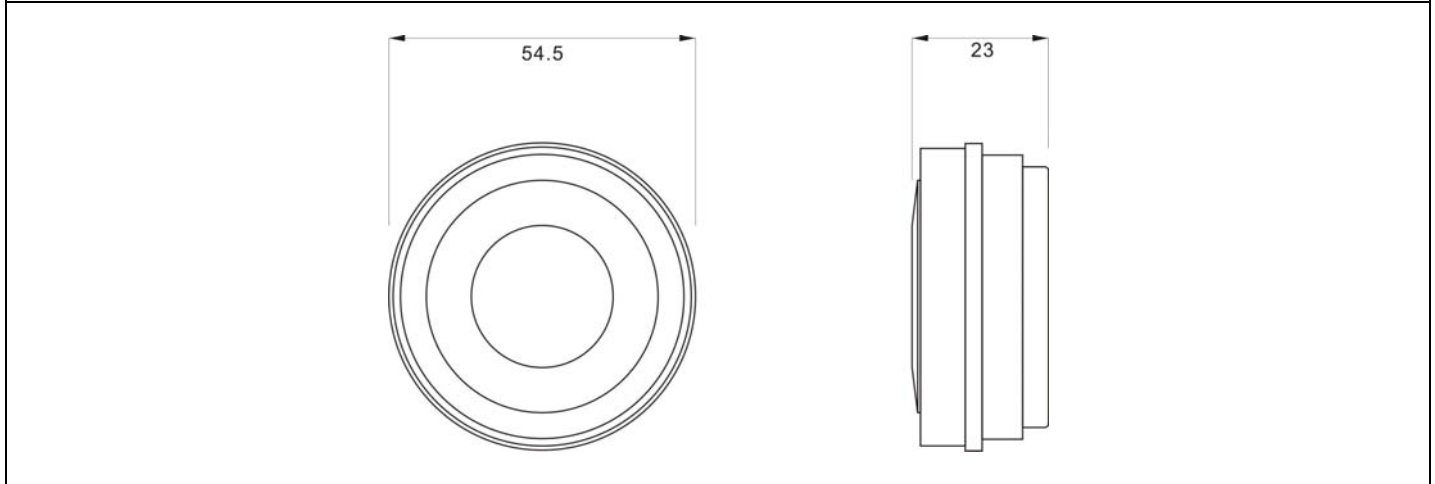


Piezo Siren Specification					
Part no.	55P35-1825D35-3.2K	Dia	Ø 54.5 mm ± 0.1	Height	23mm ± 0.2

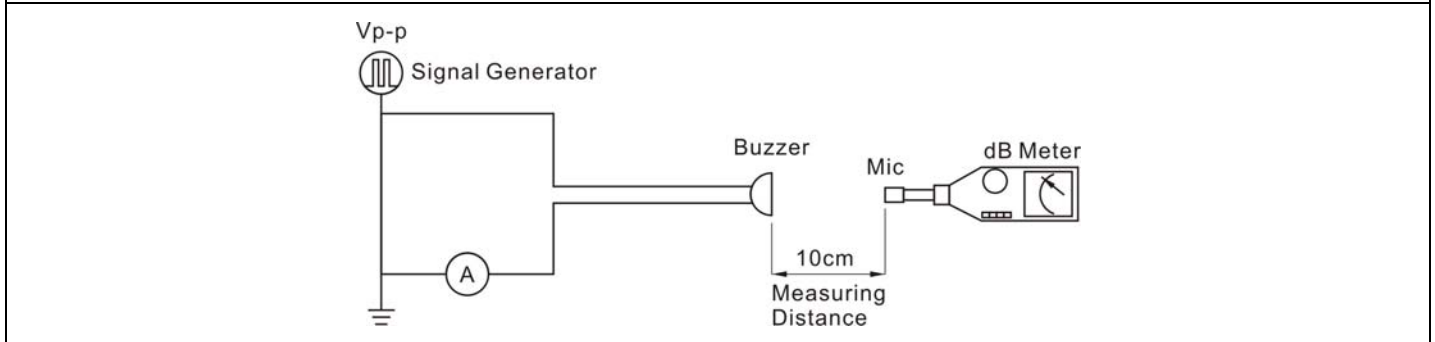
Electrical Feature		
No	Item	Specification
1	Rated Frequency Hz	3.2 KHz ± 30%
2	Rated Voltage (Vp-p / VDC)	Max 150
3	Current Consumption (mA)	Max 30 @90Vpp, Sine Wave, 3.2KHz
4	Sound Pressure Level (dB)	Min 120dB@10cm / 90Vpp
5	Operation Temperature (°C)	-20 ~ + 60
6	Storage Temperature (°C)	-30 ~ + 70
7	Weight	30g
8	Case Material / Color	ABS (UL94V0) / Black

Reliability Test		
10	High Temperature Test	After being worked in a chamber with +85 ± 2°C for 2 hour and then being placed in natural condition for 2 hour, sounder shall be measured
11	Low Temperature Test	First being worked in chamber with -30 ± 2°C for 2 hour and then being placed in a chamber with -30 ± 2°C for 16 hour, finally being placed in natural condition for 2 hour, sounder shall be measured.
12	Humidity Test	After being placed in a chamber with 90 to 95% R.H. at +40 ± 2°C for 2 hour and then being placed in natural condition for 2 hours, sounder shall be measured.

### Product Outlook

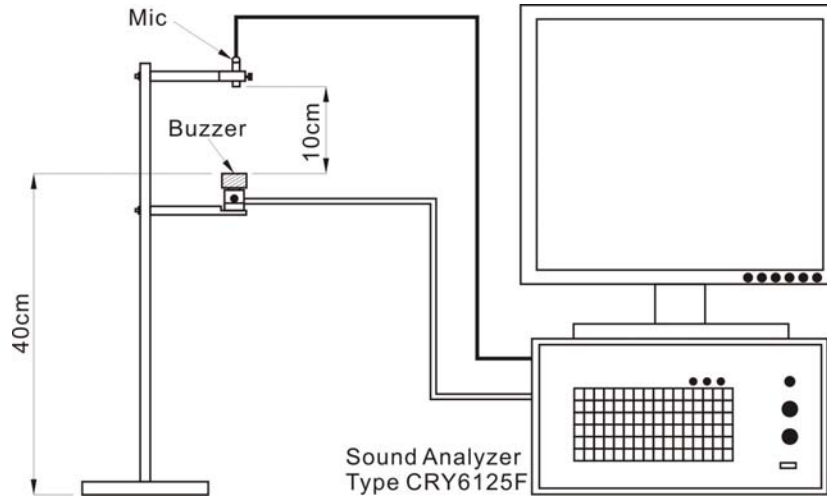


### Measurement Block Diagram





## Measurement Response Curve



## Frequency Response Curve 频响曲线图

09/17/2015 07:27

CRY6125F 蜂鸣器测试仪 V91

无框 滤波器1次

型号: \_\_\_\_\_

Fc= 4096 Hz 107.98 dB

正弦波

电压: 9999 mV

F0= 2978 Hz 127.11 dB

0 dB 参考值为: 20.0  $\mu$ Pa 扫频速度: 005 ms 快速 扫频模式: 1/96 Oct

