

# Hot-Molded Potentiometer

## WS-2/-2A

### Features

- Hot-Molded
- Standard-Bushing/Locking-Bushing/Lead/Soldering Lug
- Meet QZJ840632/SJ663-81

### Electrical Characteristics

Standard Resistance Range	A:100 to 4M7 ohms, B/C: 1K to 1M ohms
Resistance Tolerance	$\pm 5\%$ , $\pm 10\%$ , $\pm 20\%$
Contact Resistance Variation	$\pm 5\%$
Limit Voltage	A: 315V, B/C: 250V
Insulation Resistance (100Vdc)	1,000 M ohms
Withstand Voltage	900Vdc
Power Rating: at 70°C	A: 0.5 watt, B/C: 0.25 watt
Load Life (at 70°C, $\Delta R/R \leq \pm 10\%$ )	1000 hours

### Environmental Characteristics

Temperature Range	-55 °C to +125 °C
Vibration	147 m/s <sup>2</sup> , 10 to 500 Hz
Shock	980 m/s <sup>2</sup>

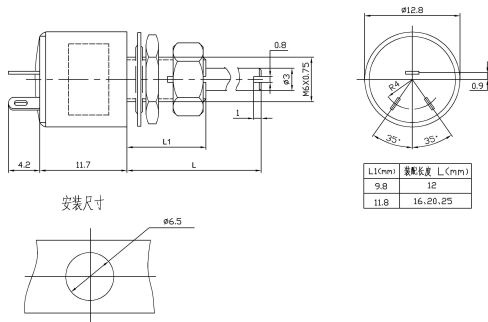
### Mechanical Characteristics

Total Mechanical Travel	$\geq 270^\circ$
Starting Torque	0.8 to 5 N.cm
Rotational Life (R<100K ohms $\Delta R/R \leq -10\%, +5\%$ ; R $\geq$ 100K ohms $\Delta R/R \leq -15\%, +5\%$ )	

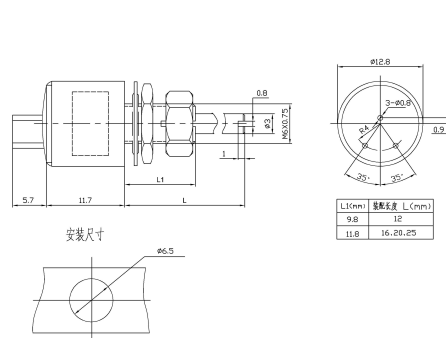
Standard-Bushing: 10000 cycles

Locking-Bushing: 500 cycles

Lock Torque (Locking-Bushing Type Only) 8N.cm



WS-2



WS-2A

How To Order

