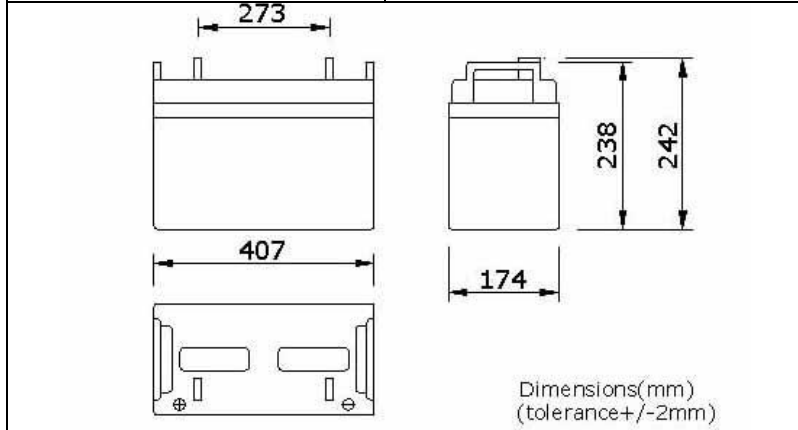


# UNIPOWER

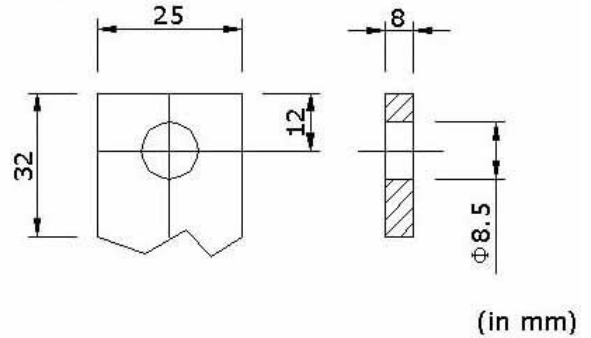
NP120-12(12V120Ah)

## PHYSICAL SPECIFICATION

Nominal Voltage Nominal Capacity (10HR)		12V 120Ah
Dimension	Length	407±2mm (16.02 inches)
	Width	174±2mm (6.85 inches)
	Container Height	238±2mm (9.37 inches)
	Total Height	242±2mm (9.53 inches)
Weight		Approx. 36.9Kg (81.33lbs)
Standard Terminal		Bolt-and-nut lead terminal Bolt Type: M8



B3(Bolt-and-nut lead terminal)  
Bolt Type: M8



## ELECTRICAL SPECIFICATION

Characteristics		
Capacity	10 hour rate (12A) 5 hour rate (20.4A) 3 hour rate (30A) 1hour rate (72A)	120Ah 102Ah 90Ah 72Ah
Capacity affected by temperature	40°C (104 °F) 25°C (77 °F) 0°C (32 °F)	102% 100% 85%
Internal Resistance	Full charged battery (25°C,77 °F) 4mΩ	
Constant Voltage Charge	Cycle	Initial Charging Current less than 30A Voltage 14.1~14.4V at 25°C (77 °F) Temperature Coefficient -18mV/°C
	Standby	No limit on Initial Charging Current Voltage 13.5~13.8V at 25°C (77 °F) Temperature Coefficient -18mV/°C

### Discharge curves @ 25°C (77 ° F)

