



# Fx-US01A ADSL POTS Splitter For CPE Side

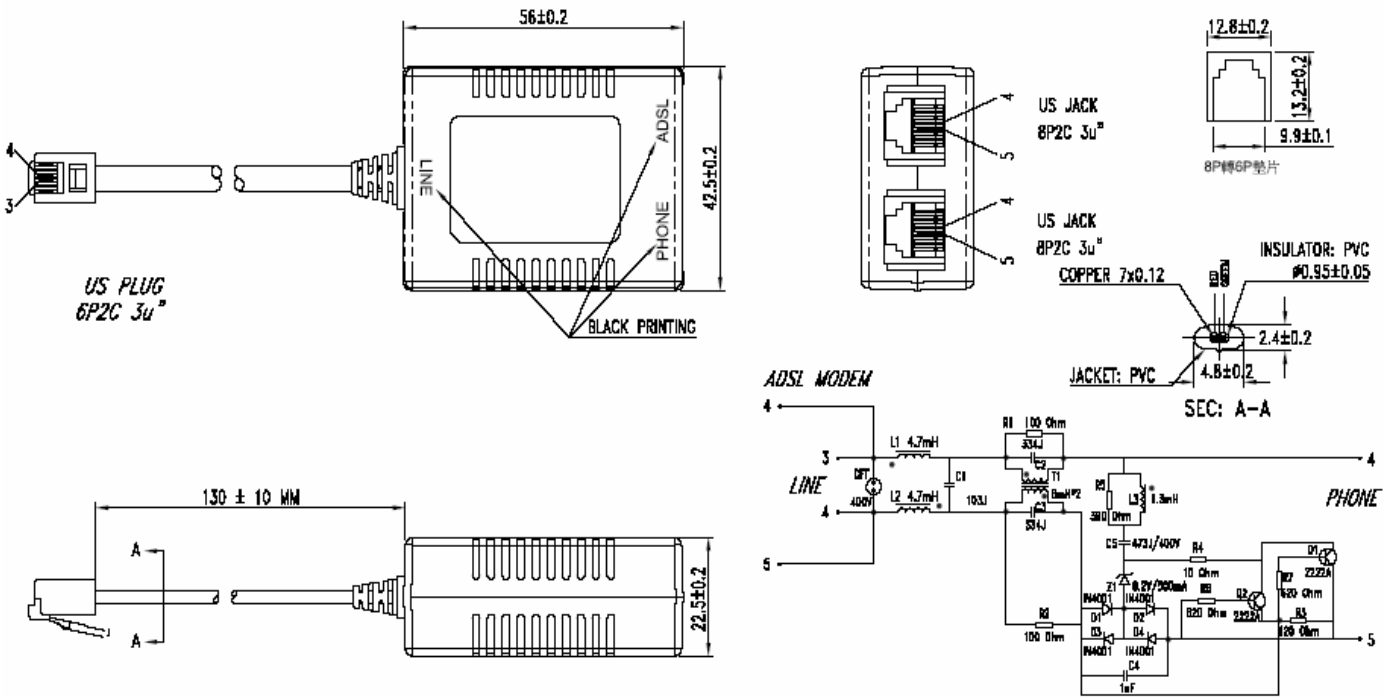


- ★ Compact package, includes connectors for ease of installation
- ★ Design for Glite Application
- ★ 100 mA DCI Loop Current Capacity

## Specifications

POTS Port Impedance	220 Ω +150nF//820 Ω	POTS Tip and Ring DC Voltage	0~105V	
Insertion Loss @1KHz	1dB Max	Return Loss @300Hz~500Hz	14dB Min	
Insertion distortion @200~4 KHz	±1dB Max	@500Hz~2KHz	18 dB Min	
Attenuation @30~200KHz	30dB Min	@2KHz~3.4KHz	12dB Min	
	@200K~1.104MHz	55dB Min	Isolation resistance tip/ring	10M Ω Min
Longitudinal Balance @200Hz~3K	50dB Min			

### Wiring & Dimension Schematic



### Head Office & Factory

SHAN-SIA DEVELOPMENT INDUSTRY AREA, HENG-LI TOWN, DONGGUAN CITY, GUANGDONG PROVINCE, CHINA

Tel: +86-769-3791376/7/8/9

Http: [www.dgfuxin.com](http://www.dgfuxin.com)

Postal: 523467

Fax: +86-769-3713728