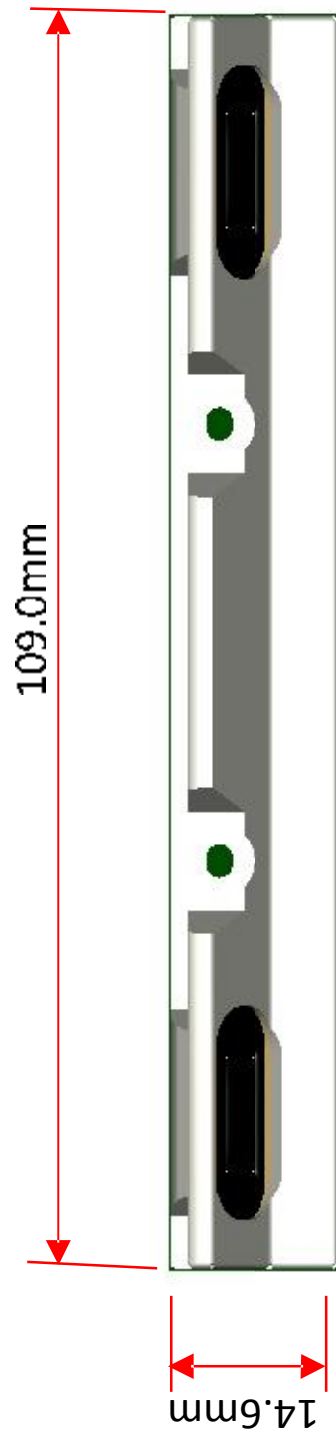
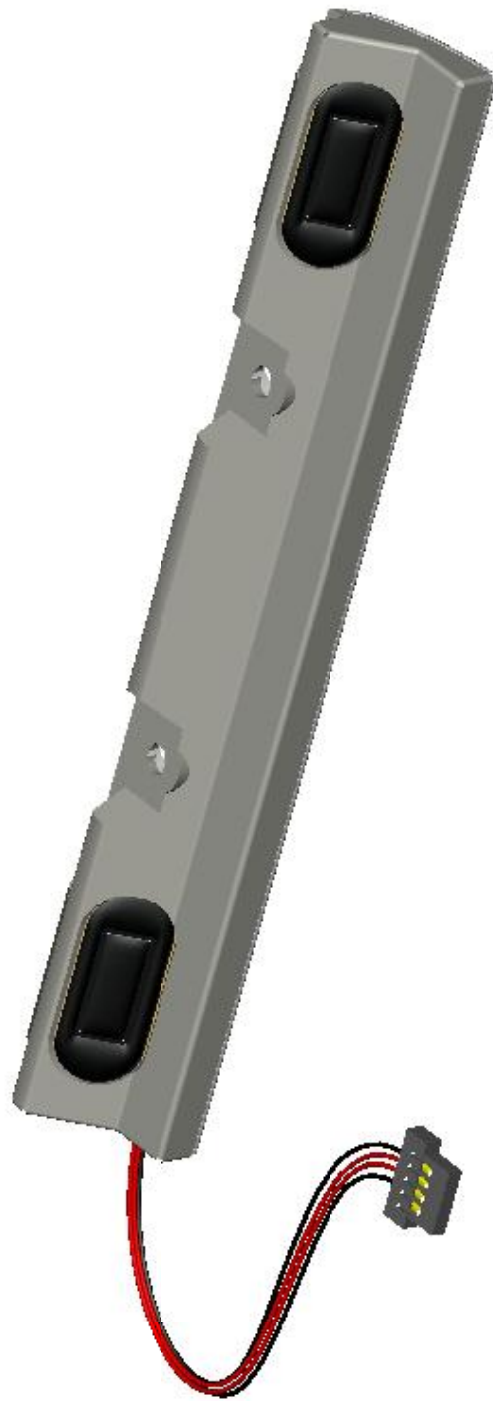


2109 音箱外形尺寸图




2-2

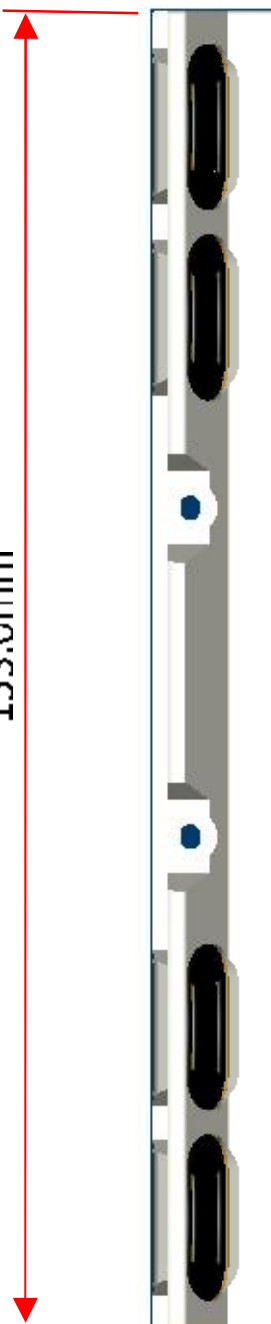
2109 音箱（四个喇叭）外形尺寸图



11.2mm

A red dimension line with arrows at both ends, indicating a width of 11.2mm. It is positioned above a small, white, L-shaped component.

153.0mm

A long red dimension line with arrows at both ends, indicating a length of 153.0mm. It is positioned to the left of a side-view diagram of the speaker.

14.6mm

A red dimension line with arrows at both ends, indicating a width of 14.6mm. It is positioned below a side-view diagram of the speaker.