

发动机(Engine)

型号(Model).....WD DEUTZ WP4G95E221
 型式.....直喷、涡轮增压、水冷
 Type.....Direct injection, turbocharged, water cooling
 额定功率Rated Power.....70kW
 额定转速Rated Speed.....2200rpm

变速系统 (Transmission System)

进口双变、同步机械换挡
 Imported T/C & T/M, synchromesh mechanical shift
 行驶速度(km/h) Traveling speed (at rated engine rpm)
 I II III IV
 Forward(km/h) 6.0 9.6 20.5 38
 Reverse(km/h) 6.0 9.6 20.5 38

制动 (Brakes)

独立的2个制动踏板。单个踏板制动作用后轮单侧油盘制动器，双制动踏板同时作用制动后轮。
 Oil immersed disc brakes are actuated by individual braking on each side rear wheel with two separate pedals. Integral brake on rear wheel is actuated by operating the two pedals at the same time.
 停车制动：软轴操纵机械作用半轴制动。
 Parking brake: flexible shaft control mechanical applied axle shaft braking.

前后桥 (Front and Rear Axles)

采用进口著名品牌的桥，重载桥轮边采用行星减速，前桥摆动角为11°
 后桥差速器通过装载机手柄上的开关采用电液控制。
 Adopted imported well-known brand axles, Heavy duty axles with planetary reduction gears in the wheel hubs. Front axle total oscillation angle is 11°. Differential lock in the rear axle controlled by electro-hydraulic system with a switch on loader lever
 最小离地间隙 Min.ground clearance.....275mm(4WD)/355mm(2WD)
 最大爬坡能力 Max. gradient capacity.....>30%

转向 (Steering System)

前轮转向。负荷传感优先转向方式
 The front steering wheels are controlled by load sensing priority valve steering system.
 最小转弯半径.....4380mm
 Min.turning radius at the outer of front wheel.....4380mm

装载作用性能 (Loader Performance)

Rated bucket capacity.....1m³
 Max. dumping clearance.....2714mm
 Max. dumping reach.....845mm
 Max. breakout force.....>60kN

反铲作业性能 (Backhoe Performance)

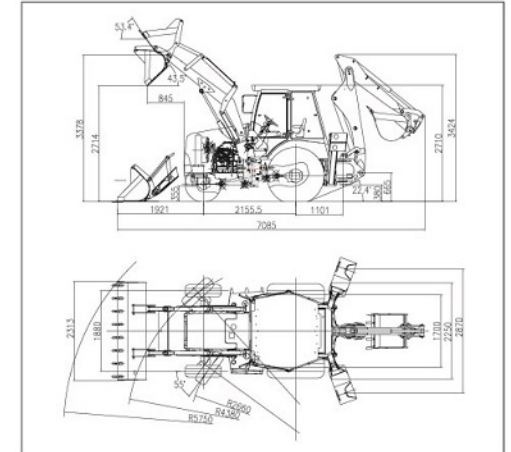
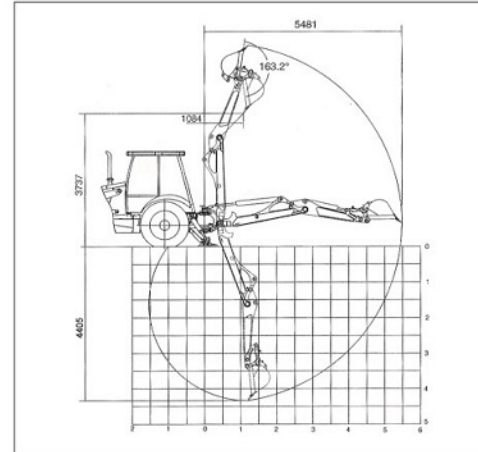
Rated hoe bucket capacity.....0.3m³
 Max. digging depth.....4405mm
 Max. digging force.....50±10%kN
 Max. digging radius.....5481mm
 Max. dumping height.....3737mm

轮胎 (Tyre)

前轮 Fore tire size...12.5-16NHS-12PR(4WD)/11L-16F3-12PR(2WD)
 后轮 Rear tire size.....Rear tire size 19.5L-24R4-12PR

油量 (Refill Capacity)

燃油箱 Fuel tank.....151L
 曲轴箱 Crank case.....11L
 变速箱 Transmission.....18.5L
 后桥 Rear axle.....17L
 前桥 Front axle.....7.6L
 液压系统 Hydraulic system.....110L

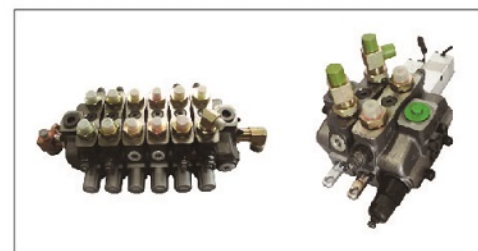


Best Matched Power Train



- Adopted WD DEUTZ engine that features strong power, low oil consumption, big power reservation.
- Perfect configurations like F4/R4 Synchromesh mechanical shift transmission and free-maintenance axle ensures superior productivity and durability.

High Efficiency Hydraulic System



- Adopted reliable hydraulic components make operation more stable and quick action and more precise.

Comfortable Cabin



- Spacious and comfortable operator station allows 360° visibility. Adjustable seat, steering, and backhoe controls allow the machine to better fit any operator.