

FUSE / Automotive Fuse

## ATP-H Big Blade Type Fuse

Design for automotive industry, protect automotive wiring, apparatus and UPS equipment.

PDF Download

Get Information



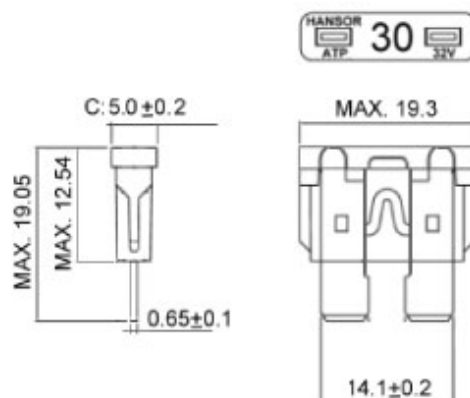
ZOOM IN

### Feature

- I Blade fuses are color-coded for easy amperage identification
- I Fuse body is made by Transparent plastic
- I Fuse element is made by Zinc Alloy
- I Rating from 3A to 40A
- I Fast action

### Specification

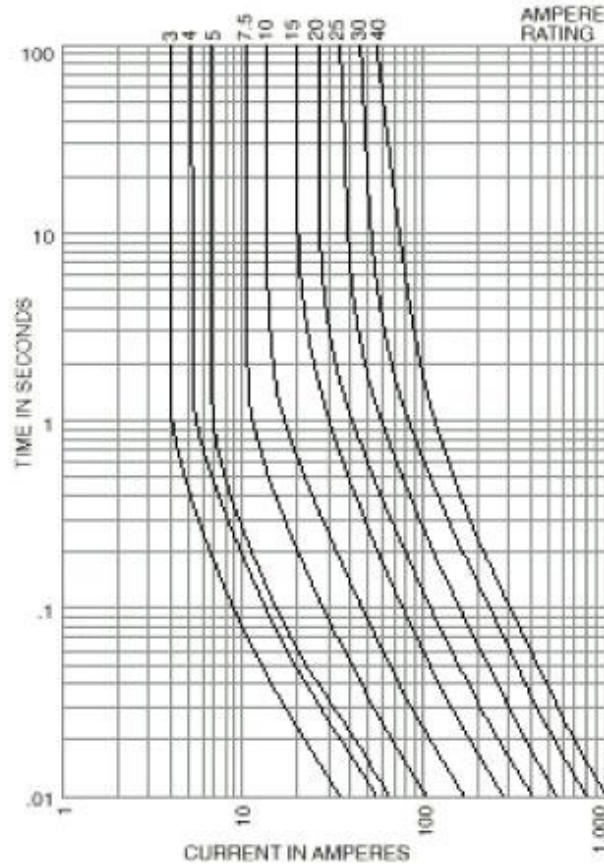
#### Dimension:



#### Electrical Characteristics:

TIME CURRENT CHARACTERISTICS			
% of Rating	Current Rating	Opening Time	
		Minimum	Maximum
110%	3 -40 Amp	100 Hours	
135%	3 -40 Amp		1800 Sec
200%	3 -40 Amp		5 Sec

**Time-Current Characteristic Curves-Average Melt**



Item

---

[Product list](#)

<b>Catalogue Number</b>	<b>Ampere Rating</b>	<b>Voltage Rating</b>	<b>Color Code</b>	<b>Nominal Resistance Cold Ohms</b>
ATP-H03	3	32	Violet	0.031
ATP-H04	4	32	Pink	0.023
ATP-H05	5	32	Tan	0.018
ATP-H07	7.5	32	Brown	0.011
ATP-H10	10	32	Red	0.0077
ATP-H15	15	32	Blue	0.0048
ATP-H20	20	32	Yellow	0.0033
ATP-H25	25	32	Natural	0.0025
ATP-H30	30	32	Green	0.0019
ATP-H35	35	32	Blue Green	0.0016
ATP-H40	40	32	Amber	0.0014

**Marking :** Ampere Rating (EX. "30" = 30ampere.)

 Start Print

Canal Components Inc. Tel:+886-2-29161263 Fax:+886-2-29117574  
Copyright ©2009 Canal Components Inc.. All rights reserved.