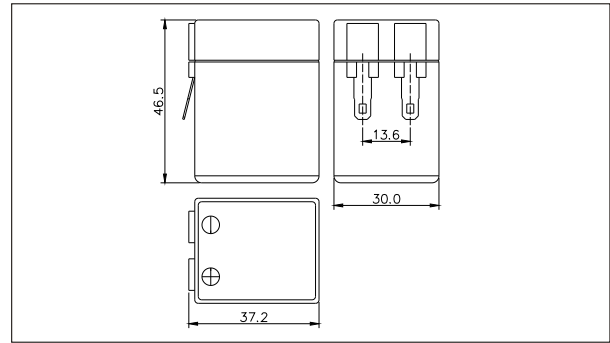




# SW410(4V1.0AH)



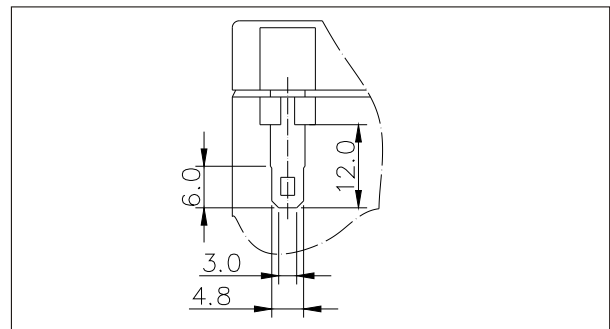
### Outer dimensions (mm)



### Specifications

Nominal Voltage		4V
Rated capacity (20 hour rate)		1.0Ah
Dimensions	Total Height	46.5mm (1.83inches)
	Height	46.5mm (1.83inches)
	Length	30mm (1.20inches)
	Width	37.2mm (1.46inches)
Weight Approx		0.125Kg (0.28lbs)

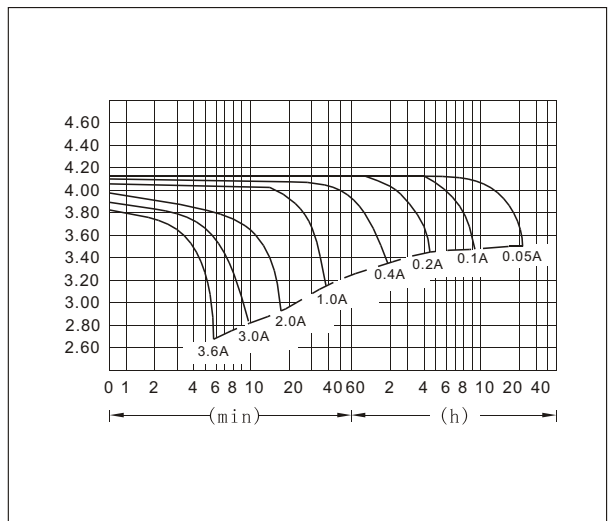
### Terminal Type (mm)



### Characteristics

Capacity 25°C(77°F)	20 hour rate(0.05A)	1.0 AH
	10 hour rate(0.92A)	0.92AH
	5 hour rate(0.17A)	0.85AH
	1 hour rate(0.6A)	0.6 AH
	1.5 hour discharge to 5.25 V	0.43 A
Internal Resistance	Full charged Battery at 25°C(77°F)	45 mΩ
Capacity affected by Temperature (20hour rate)	40°C(104°F)	102%
	25°C(77°F)	100%
	0°C(32°F)	85%
	-15°C(5°F)	65%
Self-Discharge at 25°C(77°F)	Capacity after 3 month storage	91%
	Capacity after 6 month storage	82%
	Capacity after 12 month storage	64%
Terminal		T89
Charge (constant Voltage)	Cycle	Initial Charging Current less than 0.4A Voltage 4.8-4.9V
	Float	Voltage 4.5-4.6V

### Discharge Curves 25°C(77°F)



### Constant Current(Amp) and Constant Power(Watt) Discharge Table at 25°C(77°F)

Time	5min	10min	15min	30min	1h	2h	3h	4h	5h	8h	10h	20h	
3.20V	A	3.6	2.4	1.8	1.2	0.6	0.35	0.26	0.21	0.18	0.12	0.09	0.05
	W	12	8	6	4.1	2.2	1.3	0.96	0.78	0.67	0.44	0.36	0.20
3.40V	A	3.3	2.3	1.6	1.1	0.6	0.34	0.25	0.20	0.17	0.11	0.09	0.05
	W	12	8	6	4.1	2.1	1.3	0.97	0.78	0.67	0.44	0.36	0.20
3.50V	A	3.0	2.1	1.5	1.1	0.5	0.33	0.25	0.19	0.17	0.11	0.09	0.05
	W	11	8	6	4.1	2.1	1.3	0.95	0.74	0.66	0.44	0.36	0.20
3.60V	A	2.9	2.0	1.4	1.0	0.5	0.32	0.24	0.19	0.16	0.11	0.09	0.05
	W	11	8	5	4.0	2.0	1.3	0.95	0.73	0.64	0.43	0.36	0.19
3.70V	A	2.7	1.9	1.3	1.0	0.5	0.31	0.23	0.18	0.16	0.11	0.09	0.05
	W	10	7	5	3.9	2.0	1.2	0.91	0.73	0.62	0.43	0.35	0.19