



Touchscreen Monitor

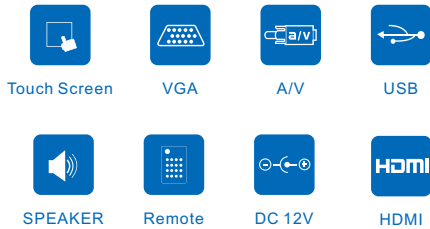
Interactive Human Machine Interface(HMI)



VT-9788

9.7" TFT LCD Touchscreen Monitor

VT-9788 touch monitor can be applied as a second, customer-facing display in retail environments and can also be installed as the main

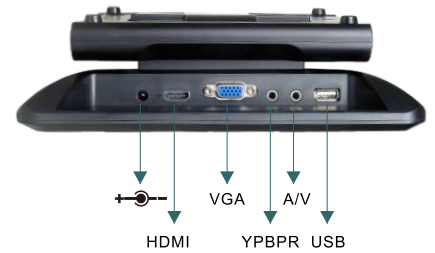


- 9.7" color IPS LCD digital panel
- 5-wire resistive touch screen technology
- Multiple I/O interface for various applications
- Multi-language OSD setting
- Full-function IR remote control
- Wall-mount and desktop standing
- 75x75mm VESA mounting

Fully Integrated I/O

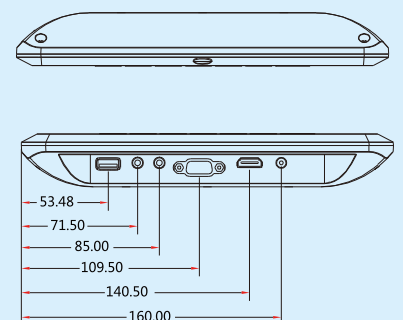
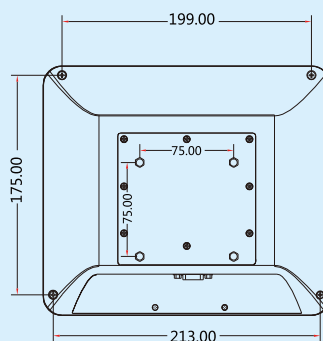
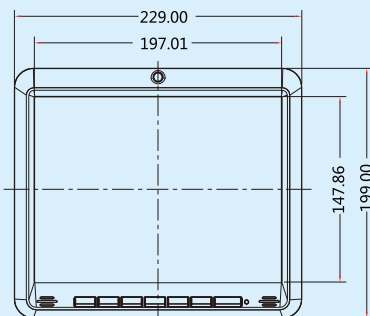


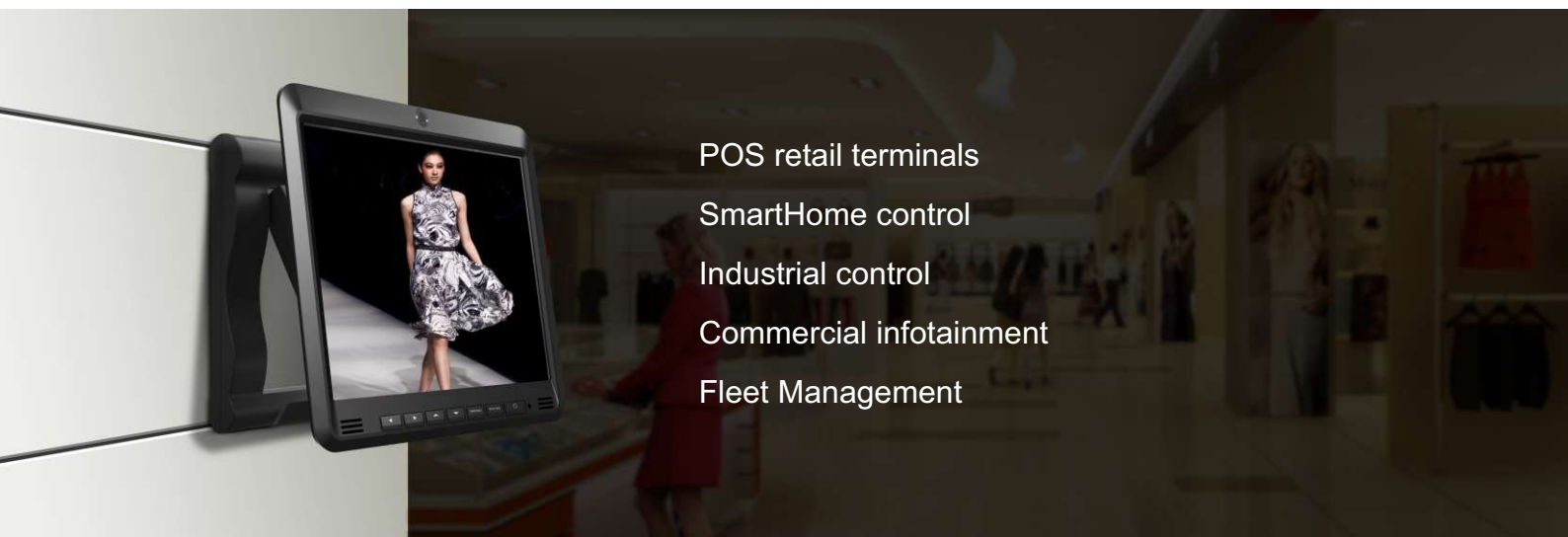
- 1 ">" Volume down or to adjust the value of setting function
- 2 "<" Volume up or to adjust the value of setting function
- 3 "MENU" To activate OSD menu
- 4 "Λ" Selection key, to adjust phase directly in VGA channel
- 5 "v" Selection key, to adjust the brightness directly
- 6 "INPUT" VGA/DVI/HDMI/YPbPr/AV Switch
- 7 Power on/off



Dimensions

Unit: mm



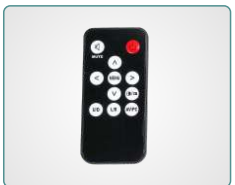


POS retail terminals
 SmartHome control
 Industrial control
 Commercial infotainment
 Fleet Management

Specification

LCD	Resolution (pixel)	1024x768
	Aspect Ratio	4:3
	Brightness (cd/m ²)	420
	View Angle	89/89(L/R), 89/89(U/D)
	Contrast	900:1
	Lamp Life (hrs)	20,000 (hrs)
	Lamp Type	Led
Touchscreen		4-Wire resistive touch screen: USB interface
Configuration	I/O Ports	VGA input: 15 pin D-SUB analog RGB interface
		HDMI input
		2 RCA video inputs, audio input
	YPbPr input	DVI input(option)
	OS	Windows, WinCE , Linux, DOS, Mac and so on.
	Functions	Loudspeakers built-in
		4adjustable backlight levels for daytime or night-time use
Full-function IR remote control		
Color System	Multilingual OSD menu	
	Automatic display adjustment	
	2 x loudspeakers built-in	
Mounting		75X75mm VESA Mount / desktop mount
Power	DC Input	DC-7~23 V or AC100~240V
	Power Consumption	10W
Environment	Operating emperature	-20℃~55℃
	Storage emperature	-30℃~65℃
Mechanical	Weight	1.4 kg
	Dimensions(mm)	182(W)X127(H)X32(D) / 230(L)X208(W)X65(H)(with bracket)

Accessories



Remote control



A / V cable



Power adapter



Car Charger



VGA cable

Shenzhen Saintway Technology Co., Ltd

www.saintway.cn

Shenzhen,China Tel: +86-755-83328288 Email: info@saintway.cn